

International Masters NRW

am 25.10.2008 bis 26.10.2008 Bonn, 25.+26.10.2008

Rank	Name, Vorname, Nr.	Gewicht	Verein	Verband	Land
- 1. Godesberger Judo Club e.V.					
3	Ahmadsei, Ibrahim, (129)	J Am-73	1. Godesberger Judo Club NWTU		Germany
3	Bayram, Ahmed, (131)	J Am-55	1. Godesberger Judo Club NWTU		Germany
3	Hashimi, Ahmad Walid, (130)	J Am-68	1. Godesberger Judo Club NWTU		Germany
- AC - Ückerath					
2	Koegel, Ramona, (133)	J Aw-52	AC - Ückerath	NWTU	Germany
3	Lamek, Patrick, (132)	J Am-73	AC - Ückerath	NWTU	Germany
- ARMY National Team POLAND					
1	Swojak, Ewelina, (423)	J Aw-68	ARMY National Team POLPOL		Poland
- ASG Altenkirchen					
3	Holzem, Jasmin, (325)	J Bw-33	ASG Altenkirchen	TURP	Germany
- Budo-Schule Wiesbaden					
3	Erfanian, Nima, (89)	J Am+78	Budo-Schule Wiesbaden	HTU	Germany
- Budovereniging Hantei					
3	Ankoné, Marloes, (375)	D-72	Budovereniging Hantei	NED	Netherlands
- Bujin Gym Frechen e.V.					
1	Göksu, Halil, (137)	J Am-48	Bujin Gym Frechen e.V.	NWTU	Germany
1	Klütsch, Laura, (135)	J Aw-55	Bujin Gym Frechen e.V.	NWTU	Germany
2	Klütsch, Anne, (141)	J Bw-33	Bujin Gym Frechen e.V.	NWTU	Germany
2	Rutzenhöfer, Felix, (140)	J Bm-41	Bujin Gym Frechen e.V.	NWTU	Germany
3	Golino, Enrico, (139)	J Bm-37	Bujin Gym Frechen e.V.	NWTU	Germany
3	Olbrich, Sven, (134)	H-58	Bujin Gym Frechen e.V.	NWTU	Germany
3	Sedaghat, Tajaw, (138)	J Am-48	Bujin Gym Frechen e.V.	NWTU	Germany
- Bul-Sportschule e.V.					
3	Reiche, Kaija, (122)	J Aw+68	Bul-Sportschule e.V.	NTU	Germany
- ESV - Treuchtlingen					
2	Batinic, Tatjana, (40)	J Bw-55	ESV - Treuchtlingen	BTU	Germany
- HAN-DOK Wiesbaden e.V					
1	Karaahmet, Sümeyye, (101)	J Aw-44	HAN-DOK Wiesbaden e.V	HTU	Germany
1	Lamkadmi, Amine, (95)	H-67	HAN-DOK Wiesbaden e.V	HTU	Germany
3	Bizzit, Asmaa, (100)	J Bw-44	HAN-DOK Wiesbaden e.V	HTU	Germany
3	Schumacher, Romina, (103)	J Bw-37	HAN-DOK Wiesbaden e.V	HTU	Germany
- Huk-tti Brande					
1	Nazari, Shaker, (36)	J Am-51	Huk-tti Brande	DEN	Denmark
2	Param, Vipesan, (34)	J Am-55	Huk-tti Brande	DEN	Denmark
3	Nazari, Wahdat, (33)	J Am-59	Huk-tti Brande	DEN	Denmark

International Masters NRW

am 25.10.2008 bis 26.10.2008 Bonn, 25.+26.10.2008

26.10.2008 Seite: 2

Rank	Name, Vorname, Nr.	Gewicht	Verein	Verband	Land
- ILYO Aarschot vzw Belgium					
2	Crauwels, Eva, (6)	D-72	ILYO Aarschot vzw Belgium	BEL	Belgium
- Internat Swisttal					
1	Hofmann, Sascha, (144)	H-72	Internat Swisttal	NWTU	Germany
1	Vossen, Robert, (156)	H+84	Internat Swisttal	NWTU	Germany
2	Kühl, Linda, (147)	D-63	Internat Swisttal	NWTU	Germany
2	Wirtz, Vanessa, (155)	J Aw+68	Internat Swisttal	NWTU	Germany
3	Hakim, Rahel, (148)	D-59	Internat Swisttal	NWTU	Germany
3	Kayas, Nildem, (151)	D-51	Internat Swisttal	NWTU	Germany
3	Schneider, Fabienne, (149)	D-55	Internat Swisttal	NWTU	Germany
3	Stoiber, Vera, (150)	J Bw-51	Internat Swisttal	NWTU	Germany
- J.C. Rüsselsheim					
3	Metaj, Dukagjin, (105)	H+84	J.C. Rüsselsheim	HTU	Germany
3	Streicher, Dennis, (104)	H-67	J.C. Rüsselsheim	HTU	Germany
- Kangaroosports e. V.					
2	Chak, Payam, (160)	J Bm-49	Kangaroosports e. V.	NWTU	Germany
- Kobra Bielefeld					
1	Tok, Umut, (164)	H-62	Kobra Bielefeld	NWTU	Germany
2	Heine, Daniel, (163)	H-62	Kobra Bielefeld	NWTU	Germany
- Koryo Den Haag					
1	Abdoel, Raees, (379)	H-54	Koryo Den Haag	NED	Netherlands
2	de Langh, Milton, (377)	J Am-59	Koryo Den Haag	NED	Netherlands
3	Remak, Joel, (376)	H-72	Koryo Den Haag	NED	Netherlands
- Königsborner SV					
2	Szekely, Norbert, (169)	J Am-51	Königsborner SV	NWTU	Germany
- Landeskader BTV					
1	Bilgi, Cemre, (87)	J Aw-49	Landeskader BTV	BTV	Germany
3	Karabiber, Burcu, (84)	J Aw-59	Landeskader BTV	BTV	Germany
3	Özcelik, Hakan, (80)	H-78	Landeskader BTV	BTV	Germany
3	özSEVEN, Dilara, (82)	J Aw-63	Landeskader BTV	BTV	Germany
- Landeskader HTU					
2	Croissant, Fabienne, (114)	J Bw-47	Landeskader HTU	HTU	Germany
2	Fiedler, Ramona, (115)	J Aw-44	Landeskader HTU	HTU	Germany
2	Meiser, Dominic, (111)	J Bm-57	Landeskader HTU	HTU	Germany
2	Rehman, Ussama, (113)	J Am-48	Landeskader HTU	HTU	Germany
3	Höllerer, Christopher, (112)	J Am-48	Landeskader HTU	HTU	Germany
- Landeskader TURP					
2	Bühner, Bryan, (336)	J Bm+65	Landeskader TURP	TURP	Germany

International Masters NRW

am 25.10.2008 bis 26.10.2008 Bonn, 25.+26.10.2008

26.10.2008 Seite: 3

Rank	Name, Vorname, Nr.	Gewicht	Verein	Verband	Land
- Landeskader TURP					
2	Dalirnejad, Sasan, (330)	H-58	Landeskader TURP	TURP	Germany
3	Busam, Silke, (328)	D-63	Landeskader TURP	TURP	Germany
3	Herrnsdorf, Marcel, (331)	J Bm-57	Landeskader TURP	TURP	Germany
3	Stolzenberger, Jennifer, (333)	J Aw-55	Landeskader TURP	TURP	Germany
- Landeskader TUT					
3	Walther, Til, (343)	J Bm-33	Landeskader TUT	TUT	Germany
- Landeskader TVBB					
1	Paul, Adrian, (348)	J Bm-45	Landeskader TVBB	TVBB	Germany
2	Dik, Sascha, Alexander, (349)	H+84	Landeskader TVBB	TVBB	Germany
- Louis van Esch					
1	Vervloet, Elles, (382)	D-72	Louis van Esch	NED	Netherlands
- MTG Essen-Horst					
3	Kleditz-Rieken, Sarina, (170)	D-51	MTG Essen-Horst	NWTU	Germany
- Mexiko					
3	Tovar Garcia, Esmeralda, (373)	D-55	Mexiko	MEX	Mexico
- Mo San Hamburg					
3	Hagemann, Jaqueline, (321)	J Bw-47	Mo San Hamburg	TUH	Germany
- Narabi Aachen e.V.					
3	Demiray, Cem-Dursun, (176)	J Am+78	Narabi Aachen e.V.	NWTU	Germany
3	Yildirim, Levent, (177)	H+84	Narabi Aachen e.V.	NWTU	Germany
- National Team BELGIUM					
1	Dupont, Jennifer, (20)	D-59	National Team BELGIUM	BEL	Belgium
2	Bajra, Arber, (16)	H-78	National Team BELGIUM	BEL	Belgium
2	Boui, Patrick David, (18)	H-67	National Team BELGIUM	BEL	Belgium
3	Wetteren, Joffrey, (21)	H-54	National Team BELGIUM	BEL	Belgium
- National Team PAKISTAN					
2	Asia, Batoool, (417)	J Aw-68	National Team PAKISTAN	PAK	Pakistan
2	Ghazanfar, Ali, (421)	H-54	National Team PAKISTAN	PAK	Pakistan
- OTC Bonn					
2	Kassem, Ahmad, (191)	J Bm-37	OTC Bonn	NWTU	Germany
3	El-Jerbi, Yahia, (189)	H-67	OTC Bonn	NWTU	Germany
3	Kassem, Zuheir, (190)	J Am-45	OTC Bonn	NWTU	Germany
3	Ounis, Mokdad, (185)	H-72	OTC Bonn	NWTU	Germany
- Olympic TKD Scheuerfeld					
3	Becker, Leona, (339)	J Aw-55	Olympic TKD Scheuerfeld	TUSaar	Germany
- Olympic Taekwondo Lüdenscheid					

International Masters NRW

am 25.10.2008 bis 26.10.2008 Bonn, 25.+26.10.2008

26.10.2008 Seite: 4

Rank	Name, Vorname, Nr.	Gewicht	Verein	Verband	Land
- Olympic Taekwondo Lüdenscheid					
1	Meyer, Florian, (184)	J Am+78	Olympic Taekwondo LüdenNWTU		Germany
3	Ceren, Filiz, (183)	J Aw-44	Olympic Taekwondo LüdenNWTU		Germany
3	Roskosch, Denis, (179)	H-62	Olympic Taekwondo LüdenNWTU		Germany
3	Roskosch, Steven, (182)	J Bm-45	Olympic Taekwondo LüdenNWTU		Germany
3	Wassiliki, Karoki, (437)	J Aw-44	Olympic Taekwondo LüdenNWTU		Germany
- PSV-München e. V.					
1	Cukurlu, Sirmagül, (44)	D-63	PSV-München e. V.	BTU	Germany
1	Ivers, Lucas, (41)	H-84	PSV-München e. V.	BTU	Germany
1	Jacob, Sebastian, (45)	J Bm-57	PSV-München e. V.	BTU	Germany
2	Wasthuber, Rosalie, (46)	D-55	PSV-München e. V.	BTU	Germany
3	Canella, Isabella, (47)	J Bw-51	PSV-München e. V.	BTU	Germany
3	Geiger, Bernhard, (48)	J Bm-49	PSV-München e. V.	BTU	Germany
- Post SV Neumünster					
3	Kersten, Anna-Lena, (350)	J Aw-63	Post SV Neumünster	TVSH	Germany
- SC04Nürnberg-Olympia					
2	Pragalos, Christos, (304)	J Bm-45	SC04Nürnberg-Olympia	TUBW	Germany
- SG-Ostalb					
1	Gökmen, Semih, (309)	J Am-45	SG-Ostalb	TUBW	Germany
1	Gökmen, Sera, (311)	J Bw-37	SG-Ostalb	TUBW	Germany
1	Stenske, Olga, (308)	D-47	SG-Ostalb	TUBW	Germany
2	Eschweiler, Tamara, (310)	J Bw-44	SG-Ostalb	TUBW	Germany
2	Kaupp, Angelina, (307)	J Aw-49	SG-Ostalb	TUBW	Germany
3	Müller, Bernd, (312)	J Bm-33	SG-Ostalb	TUBW	Germany
3	Stojakov, Sanja, (313)	J Aw+68	SG-Ostalb	TUBW	Germany
- SUS Sichtigvor e.V					
3	Päsler, Jonas, (205)	J Am-78	SUS Sichtigvor e.V	NWTU	Germany
- Sipjin Couffignal Strasbourg					
3	Skandrani, Taoufik M., (39)	H-62	Sipjin Couffignal Strasbourg	FRA	France
- Sonbae Academy					
3	Benoit, Hannart, (29)	J Bm-45	Sonbae Academy	BEL	Belgium
3	Julien, Gracco, (24)	J Am-63	Sonbae Academy	BEL	Belgium
3	Nicolas, Poli, (27)	J Am-55	Sonbae Academy	BEL	Belgium
- Sport Club Özad Duisburg					
1	Kalyoncu, Sezer, (199)	J Bm-49	Sport Club Özad Duisburg	NWTU	Germany
3	Yalcindag, Adem, (200)	J Bm-41	Sport Club Özad Duisburg	NWTU	Germany
3	Özad, Cengizhan, (196)	J Am-78	Sport Club Özad Duisburg	NWTU	Germany
- Swiss Taekwondo					
2	Markus, Jiskra, (428)	H-84	Swiss Taekwondo	SUI	Switzerland
3	Amhand, Mehdi, (433)	J Am-51	Swiss Taekwondo	SUI	Switzerland

International Masters NRW

am 25.10.2008 bis 26.10.2008 Bonn, 25.+26.10.2008

Rank	Name, Vorname, Nr.	Gewicht	Verein	Verband	Land
- T.V.Moutarazak					
3	Barbic, Lisanne, (383)	J Bw-55	T.V.Moutarazak	NED	Netherlands
- TG Allgäu					
1	Hands Schuh, Nicole, (52)	J Bw+59	TG Allgäu	BTU	Germany
1	Mauersberger, Melanie, (50)	J Bw-59	TG Allgäu	BTU	Germany
2	Rothärmel, Katharina, (51)	J Aw-59	TG Allgäu	BTU	Germany
- TG Nettetal					
1	Leewen, Jens, (224)	J Am-73	TG Nettetal	NWTU	Germany
3	Heyer, Kai, (225)	J Bm-53	TG Nettetal	NWTU	Germany
- TKD Oude Luttkhuis					
1	Kampman, Kimberley, (409)	J Bw-41	TKD Oude Luttkhuis	NED	Netherlands
1	Oude Luttkhuis, Yvonne, (410)	D+72	TKD Oude Luttkhuis	NED	Netherlands
- TKD - GLADBECK					
1	Celik, Volkan, (232)	J Am-55	TKD - GLADBECK	NWTU	Germany
1	Güler, Sezer, (228)	J Am-78	TKD - GLADBECK	NWTU	Germany
1	YONCI, :*), (1)	J Bw-55	TKD - GLADBECK	NWTU	Germany
3	Subasi, Süleyman, (234)	J Bm-53	TKD - GLADBECK	NWTU	Germany
- TKD Center Iserlohn e.V.					
2	Kazior, Daisy, (236)	J Bw-59	TKD Center Iserlohn e.V.	NWTU	Germany
2	Wenken, Tabea, (239)	J Bw-41	TKD Center Iserlohn e.V.	NWTU	Germany
- TKD Center Laar					
1	Askar, Ebru, (242)	D-51	TKD Center Laar	NWTU	Germany
1	Bagtas, Simge, (243)	J Bw-33	TKD Center Laar	NWTU	Germany
2	Jahn, Patrick, (244)	J Am+78	TKD Center Laar	NWTU	Germany
3	Bagtas, Sinem, (241)	J Aw-52	TKD Center Laar	NWTU	Germany
- TKD Club Victory e.V. Hildesheim					
2	Osmani - Maslicic, Aldin, (124)	J Am-68	TKD Club Victory e.V. Hildesheim	NWTU	Germany
3	Göhring, Marie - Christin, (126)	J Bw-41	TKD Club Victory e.V. Hildesheim	NWTU	Germany
- TKD Sharks e.V.					
1	Reschad, Raschidi, (436)	J Am-68	TKD Sharks e.V.	TVSH	Germany
- TKD Team Schiefbahn					
3	Hermann, Steffen, (249)	J Bm-41	TKD Team Schiefbahn	NWTU	Germany
3	Müllers, Sascha, (247)	J Bm-61	TKD Team Schiefbahn	NWTU	Germany
3	Ronken, Julia, (250)	J Bw-37	TKD Team Schiefbahn	NWTU	Germany
- TKD VAROL e.V.					
2	ÖZTÜRK, Ömer, (54)	J Am-63	TKD VAROL e.V.	BTU	Germany

International Masters NRW

am 25.10.2008 bis 26.10.2008 Bonn, 25.+26.10.2008

Rank	Name, Vorname, Nr.	Gewicht	Verein	Verband	Land
- TKD- Club Freigericht					
3	Uffermann, Julia, (119)	D-59	TKD- Club Freigericht	HTU	Germany
- TSC Gladbeck					
1	Baransky, Julia, (266)	J Aw-52	TSC Gladbeck	NWTU	Germany
1	Bozukyan, Natalie, (269)	J Aw+68	TSC Gladbeck	NWTU	Germany
1	Rempel, Rolf, (268)	J Bm-41	TSC Gladbeck	NWTU	Germany
3	Grunwald, Johanna, (270)	D+72	TSC Gladbeck	NWTU	Germany
3	Habecker, Daniel, (257)	H-84	TSC Gladbeck	NWTU	Germany
3	Kavalak, Mehmet, (267)	J Am-45	TSC Gladbeck	NWTU	Germany
3	Rzеха, Denise, (261)	D-63	TSC Gladbeck	NWTU	Germany
- TSG-Eschweiler e.V.					
2	Dickmeiß, Kevin, (271)	J Am-78	TSG-Eschweiler e.V.	NWTU	Germany
- TSV 04 Feucht					
2	Fürst, Marco, (62)	J Bm-33	TSV 04 Feucht	BTU	Germany
2	Schaller, Florian, (57)	H-72	TSV 04 Feucht	BTU	Germany
3	Schaller, Benjamin, (58)	J Am-68	TSV 04 Feucht	BTU	Germany
- TSV 1860 Weissenburg -TKD Batinic					
2	Batinic, Isabel, (64)	J Aw-55	TSV 1860 Weissenburg -TIBTU		Germany
2	Katheder, Antonia, (63)	J Aw-63	TSV 1860 Weissenburg -TIBTU		Germany
- TSV Dachau 1865					
1	Köpf, Jennifer, (68)	D-55	TSV Dachau 1865	BTU	Germany
2	Berhanu, Omar, (75)	J Am-45	TSV Dachau 1865	BTU	Germany
2	Friedl, Stefan, (71)	J Bm-53	TSV Dachau 1865	BTU	Germany
3	Bhourì Kehila, Marwan, (65)	H-84	TSV Dachau 1865	BTU	Germany
3	Kamci, Mehmet, (70)	H-54	TSV Dachau 1865	BTU	Germany
3	Tosic, Tamara, (72)	J Aw-49	TSV Dachau 1865	BTU	Germany
- TUS Ende					
1	Frömming, Anna Lena, (277)	J Bw-47	TUS Ende	NWTU	Germany
1	Koch, Annika, (275)	J Bw-51	TUS Ende	NWTU	Germany
3	Eilbaum, Marcel, (273)	J Bm-57	TUS Ende	NWTU	Germany
3	Nestler, Elisa, (279)	J Bw-44	TUS Ende	NWTU	Germany
- TV Becketal					
3	Gräfer, Victoria, (285)	J Aw-59	TV Becketal	NWTU	Germany
3	Krone, Saskia, (282)	J Bw-59	TV Becketal	NWTU	Germany
- TVG Holsterhausen					
2	Von Schmeling, Timo, (287)	J Am-73	TVG Holsterhausen	NWTU	Germany
- Taekwondo Annaberg-Buchholz e.V.					
2	Schwarz, Jana, (338)	D+72	Taekwondo Annaberg-Buchholz	TUS	Germany

International Masters NRW

am 25.10.2008 bis 26.10.2008 Bonn, 25.+26.10.2008

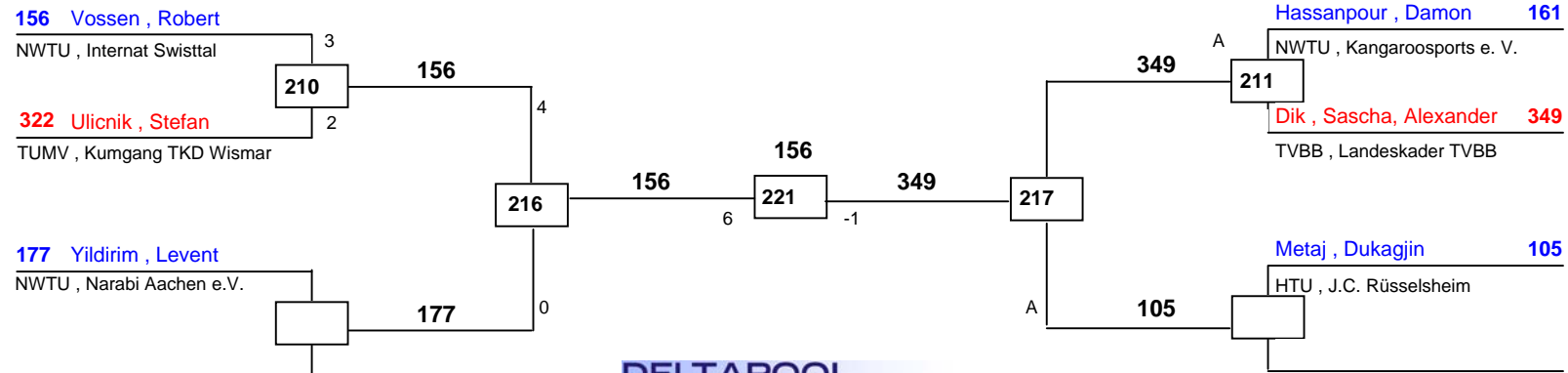
Rank	Name, Vorname, Nr.	Gewicht	Verein	Verband	Land
- Taekwondo Club Solingen					
1	Altindag, Simge, (208)	J Aw-42	Taekwondo Club Solingen	NWTU	Germany
3	Altindag, Gizem, (209)	J Bw-41	Taekwondo Club Solingen	NWTU	Germany
3	Cinnirella, Maik, (207)	J Am-63	Taekwondo Club Solingen	NWTU	Germany
- Taekwondo Cretè Tübingen e.V.					
1	Grau, Melissa, (314)	J Aw-59	Taekwondo Cretè Tübinger	TUBW	Germany
1	Kazacek, Egor, (315)	J Am-59	Taekwondo Cretè Tübinger	TUBW	Germany
1	Kazacek, Leonid, (316)	H-58	Taekwondo Cretè Tübinger	TUBW	Germany
3	Campanile, Antonella, (318)	J Aw-52	Taekwondo Cretè Tübinger	TUBW	Germany
- Taekwondo Donau Lech Iller e.V.					
2	Munk, Ferdinand, (49)	J Bm-61	Taekwondo Donau Lech Iller	BTU	Germany
- Taekwondo Eastwood Warriors					
1	negro, ismail, (387)	J Bm-33	Taekwondo Eastwood War	NED	Netherlands
- Taekwondo Herringen e.V.					
1	Hübert, Dennis, (215)	J Bm-37	Taekwondo Herringen e.V.	NWTU	Germany
- Taekwondo IJselland					
1	Wanrooij, Jeroen, (388)	H-78	Taekwondo IJselland	NED	Netherlands
- Taekwondo Zuid-Oost					
1	Laus, Robin, (395)	J Am-63	Taekwondo Zuid-Oost	NED	Netherlands
3	El Baroud, el Khadija, (397)	J Aw-49	Taekwondo Zuid-Oost	NED	Netherlands
3	Rob, Luke, (398)	J Bm-37	Taekwondo Zuid-Oost	NED	Netherlands
- Tilburg Noord Taekwondo (TNT/SPIO)					
2	Brouwers, Belinda, (400)	D-59	Tilburg Noord Taekwondo (NED)		Netherlands
3	Nieuwenhuizen, Kimberley, (401)	J Bw-55	Tilburg Noord Taekwondo (NED)		Netherlands
- Tkd-Lüdenscheide e.V.					
2	Scherbarth, Sandy Kristin, (252)	J Bw-51	Tkd-Lüdenscheide e.V.	NWTU	Germany
3	Reiswich, David, (253)	J Bm+65	Tkd-Lüdenscheide e.V.	NWTU	Germany
- To-San Ennepetal e.V.					
3	Swinos, Christos, (254)	H-78	To-San Ennepetal e.V.	NWTU	Germany
- Tollyo academy Charleroi					
3	FANNY, BOERMANS, (31)	D-72	Tollyo academy Charleroi	BEL	Belgium
- TuS Lipperode					
1	Laas, Dennis, (281)	J Bm-61	TuS Lipperode	NWTU	Germany
- VfL-Sindelfingen					
3	Gebel, Thomas, (320)	H-58	VfL-Sindelfingen	TUBW	Germany

International Masters NRW

am 25.10.2008 bis 26.10.2008 Bonn, 25.+26.10.2008

Rank	Name, Vorname, Nr.	Gewicht	Verein	Verband	Land
- Wuppertaler - Tiger					
1	Todorovic, Nikola, (294)	J Bm-53	Wuppertaler - Tiger	NWTU	Germany
2	Weber, Sarah, (295)	D-51	Wuppertaler - Tiger	NWTU	Germany
3	Süleyman, Reber, (296)	J Bm-49	Wuppertaler - Tiger	NWTU	Germany
3	Toussis, Tiana, (435)	J Bw-59	Wuppertaler - Tiger	NWTU	Germany
- Yul-Kok					
1	Barbic, Mandy, (415)	J Aw-63	Yul-Kok	NED	Netherlands
- judo club pforzheim					
1	iacona, fabio, (302)	J Bm+65	judo club pforzheim	TUBW	Germany
1	nothhaft, roxana, (299)	J Bw-44	judo club pforzheim	TUBW	Germany
2	nothhaft, tamara, (301)	J Bw-37	judo club pforzheim	TUBW	Germany
3	silajdzic, alma, (298)	J Bw-47	judo club pforzheim	TUBW	Germany
- korea club houdeng (abft)					
3	jeffrey, Le duc, (15)	J Am-51	korea club houdeng (abft)	BEL	Belgium
- or team					
3	assaraf, shanny, (365)	J Aw-68	or team	ISR	Israel
3	assaraf, jonathan, (367)	J Bm+65	or team	ISR	Israel
3	shazo, shlomo, (369)	J Am-59	or team	ISR	Israel

H+84
International Masters NRW
Bonn
am 25.10.2008 - 26.10.2008



DELTAPOOL
Competition Management
 by Hamid Rahimi

www.deltapool.de

Copyright by Hamid Rahimi 1994 - 2008

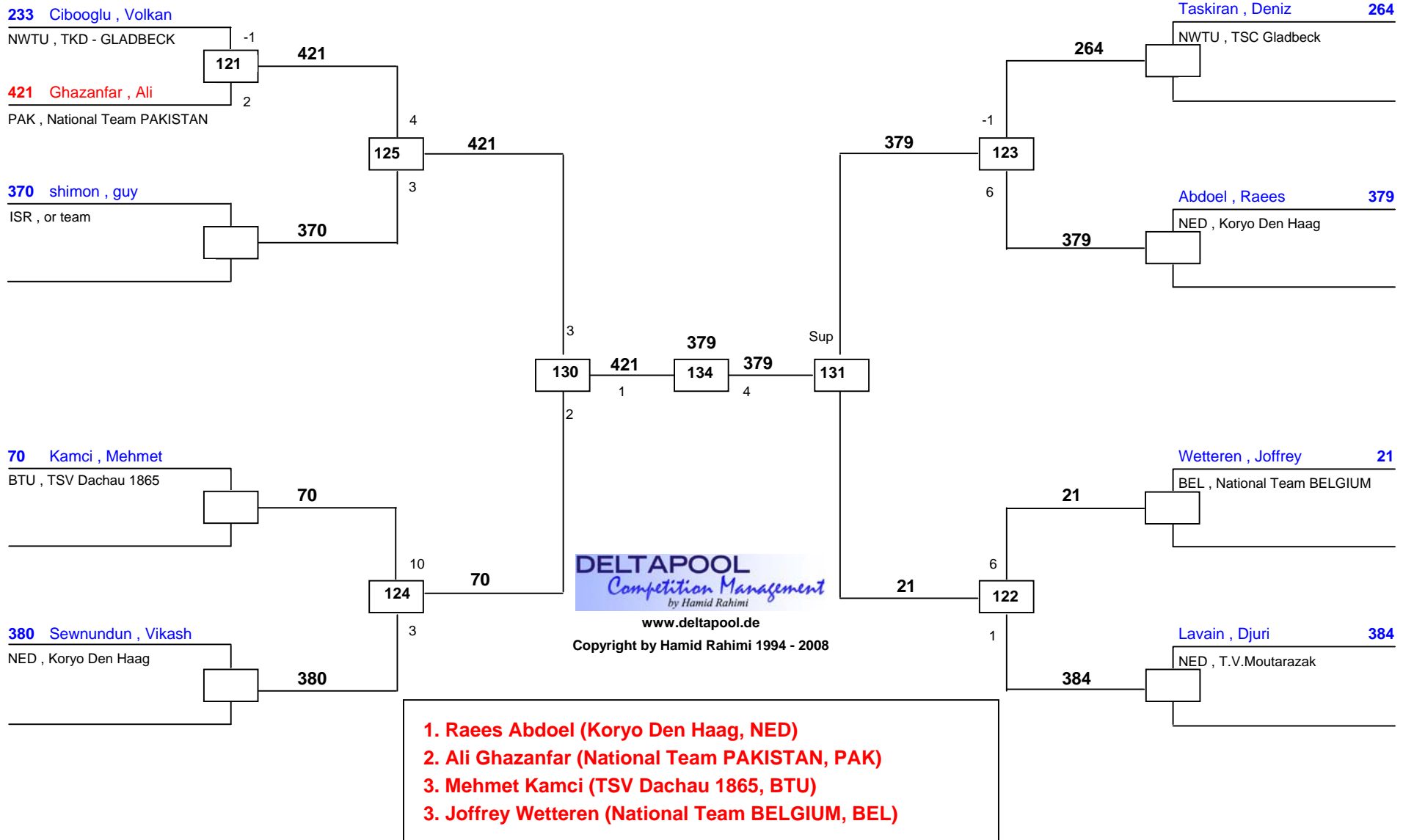
1. Robert Vossen (Internat Swisttal, NWTU)
2. Sascha, Alexander Dik (Landeskader TVBB, TVBB)
3. Levent Yildirim (Narabi Aachen e.V., NWTU)
3. Dukagjin Metaj (J.C. Rüsselsheim, HTU)

H-54

International Masters NRW

Bonn

am 25.10.2008 - 26.10.2008



H-58

International Masters NRW

Bonn

am 25.10.2008 - 26.10.2008

134 Olbrich , Sven

NWTU , Bujin Gym Frechen e.V.

426 Walkowiak , Lukasz

POL , ARMY National Team POLAN

125 Mücke , Roman

NTU , TKD Club Victory e.V. Hilde

316 Kazacek , Leonid

TUBW , Taekwondo Creti Tübingen

347 Schuchhardt , Manuel

TVBB , Landeskader TVBB

Kilic , Deniz/ Duran **262**

NWTU , TSC Gladbeck

Dalirnejad , Sasan **330**

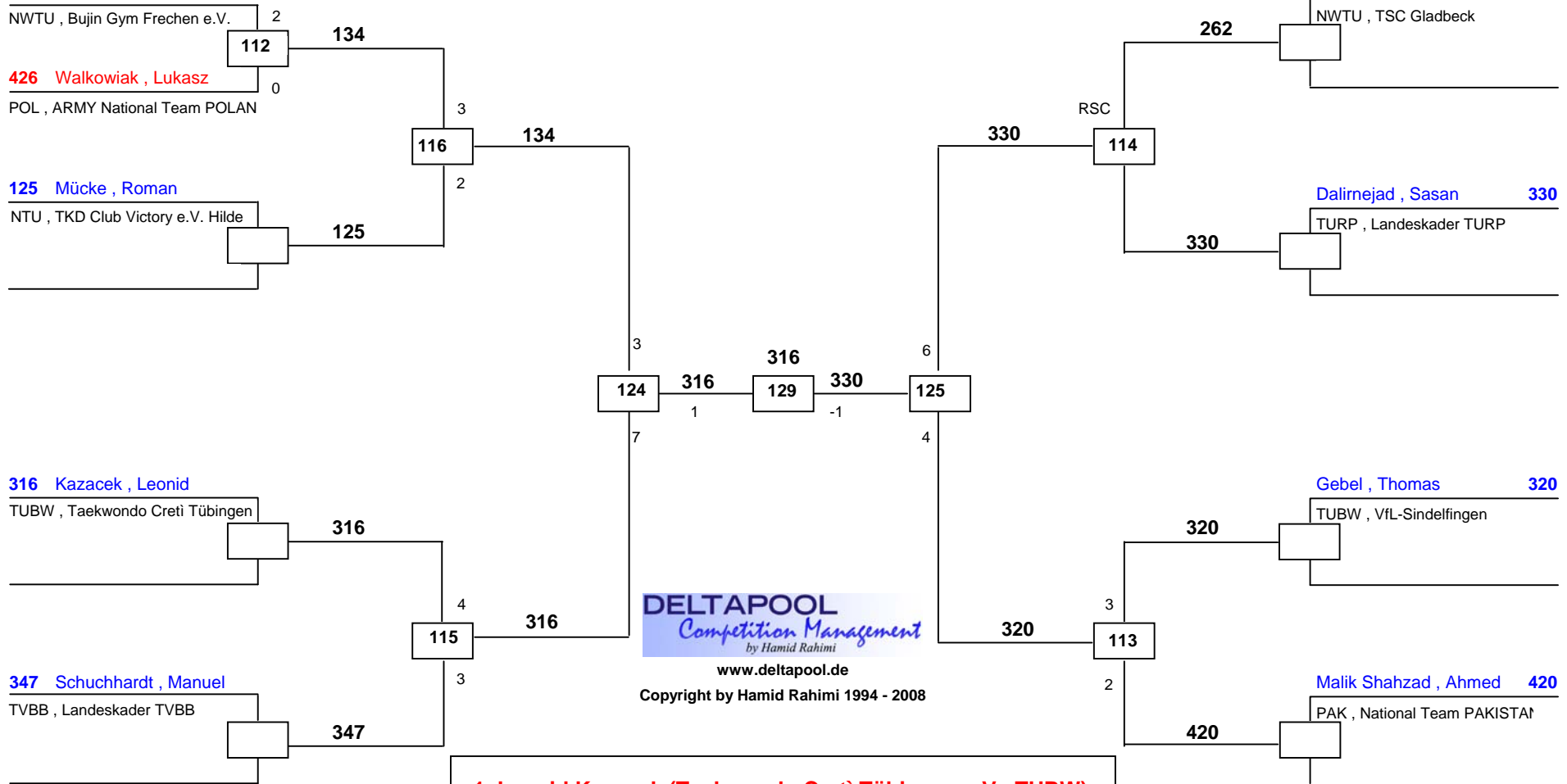
TURP , Landeskader TURP

Gebel , Thomas **320**

TUBW , VfL-Sindelfingen

Malik Shahzad , Ahmed **420**

PAK , National Team PAKISTAN



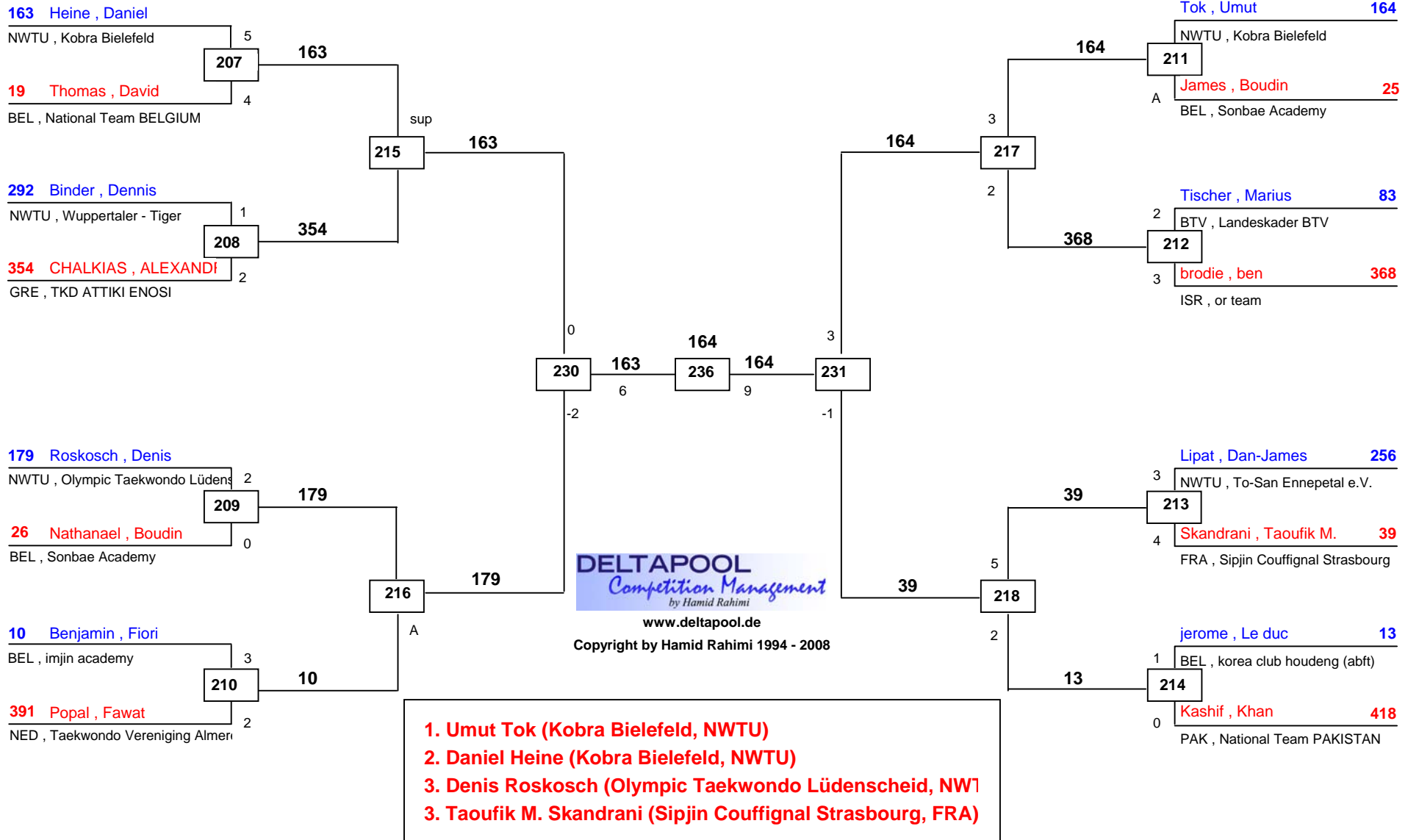
1. Leonid Kazacek (Taekwondo Creti Tübingen e.V., TUBW)
2. Sasan Dalirnejad (Landeskader TURP, TURP)
3. Sven Olbrich (Bujin Gym Frechen e.V., NWTU)
3. Thomas Gebel (VfL-Sindelfingen, TUBW)

H-62

International Masters NRW

Bonn

am 25.10.2008 - 26.10.2008

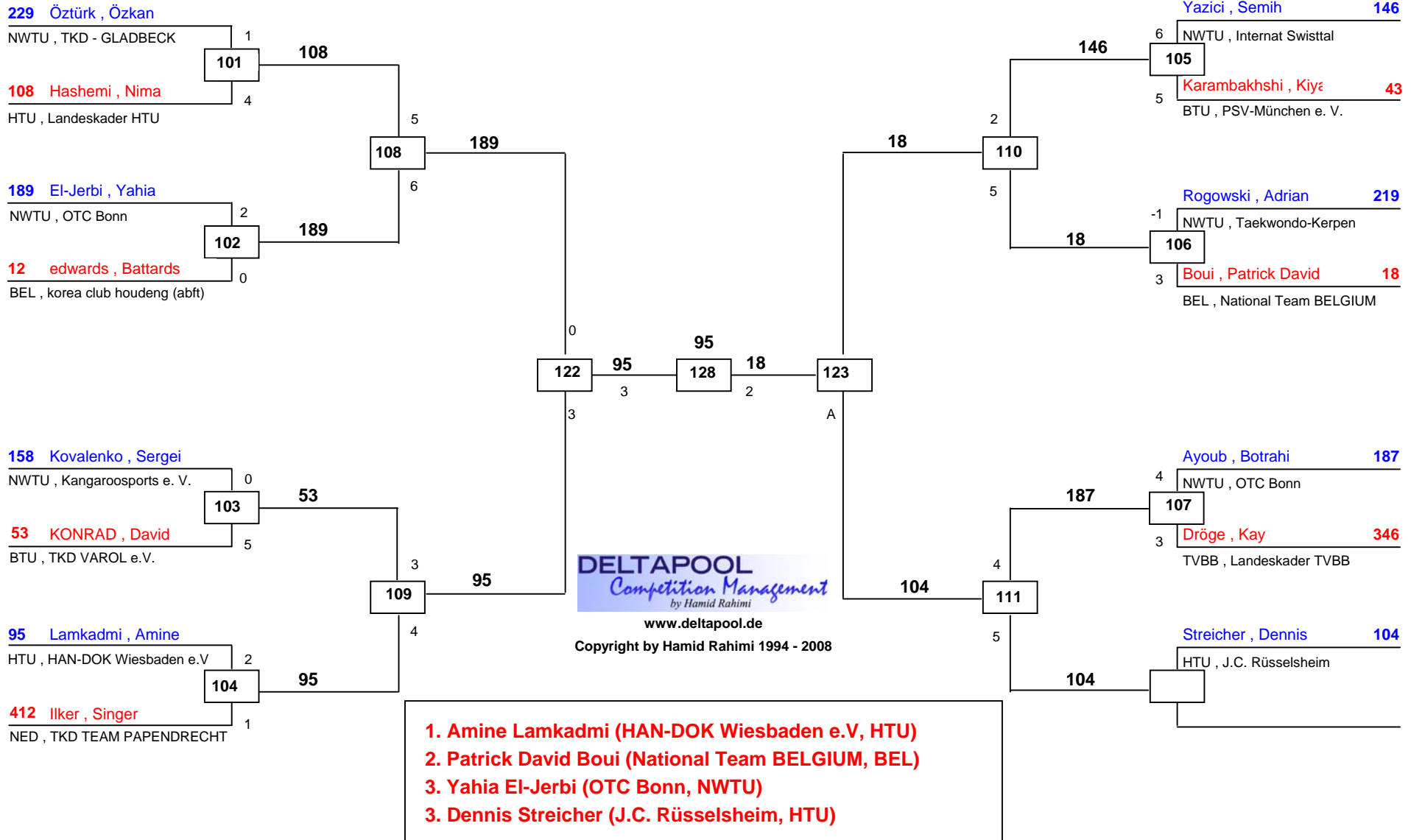


H-67

International Masters NRW

Bonn

am 25.10.2008 - 26.10.2008



H-72

International Masters NRW

Bonn

am 25.10.2008 - 26.10.2008

144 Hofmann , Sascha

NWTU , Internat Swisttal

319 Kaminski , Sven

TUBW , VfL-Sindelfingen

197 Özad , Gökmen

NWTU , Sport Club Özad Duisbur

345 Rateuke , Roger

TVBB , Landeskader TVBB

185 Ounis , Mokdad

NWTU , OTC Bonn

107 Kern , Christoph

HTU , Landeskader HTU

255 Meyer , Sebastian

NWTU , To-San Ennepetal e.V.

353 KONSTANTINIDIS , KYI

GRE , TKD AIGEAS

Piccirilli , Francesco **178**

NWTU , Olympic Taekwondo Lüde

Schaller , Florian **57**

BTU , TSV 04 Feucht

Kadourah , Lutfi **245**

NWTU , TKD Highlight Eschweiler

Vandernoot , Max **17**

BEL , National Team BELGIUM

Al-Din , Seif **186**

NWTU , OTC Bonn

Scholz , Daniel **337**

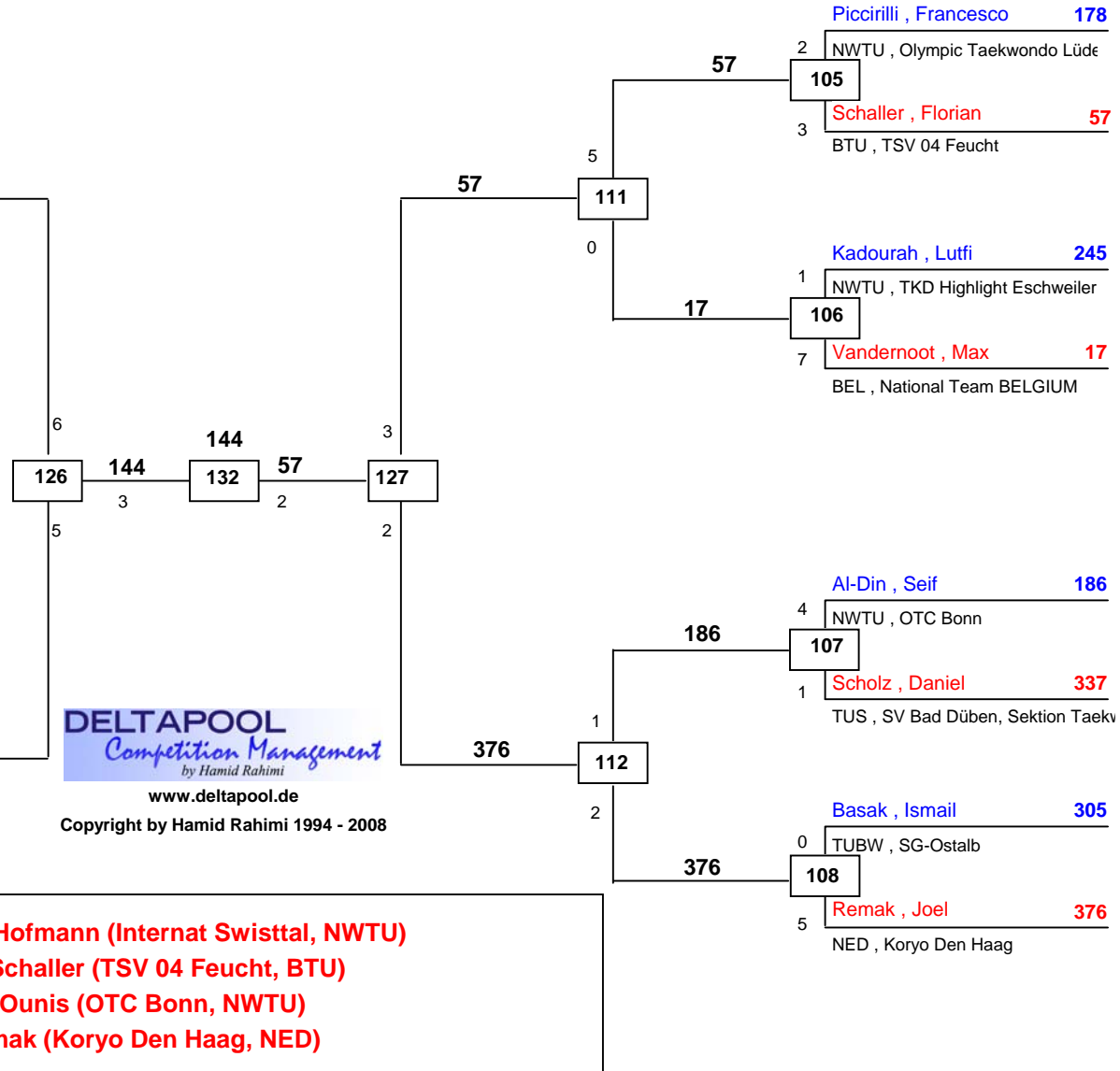
TUS , SV Bad Döben, Sektion Taekw

Basak , Ismail **305**

TUBW , SG-Ostalb

Remak , Joel **376**

NED , Koryo Den Haag

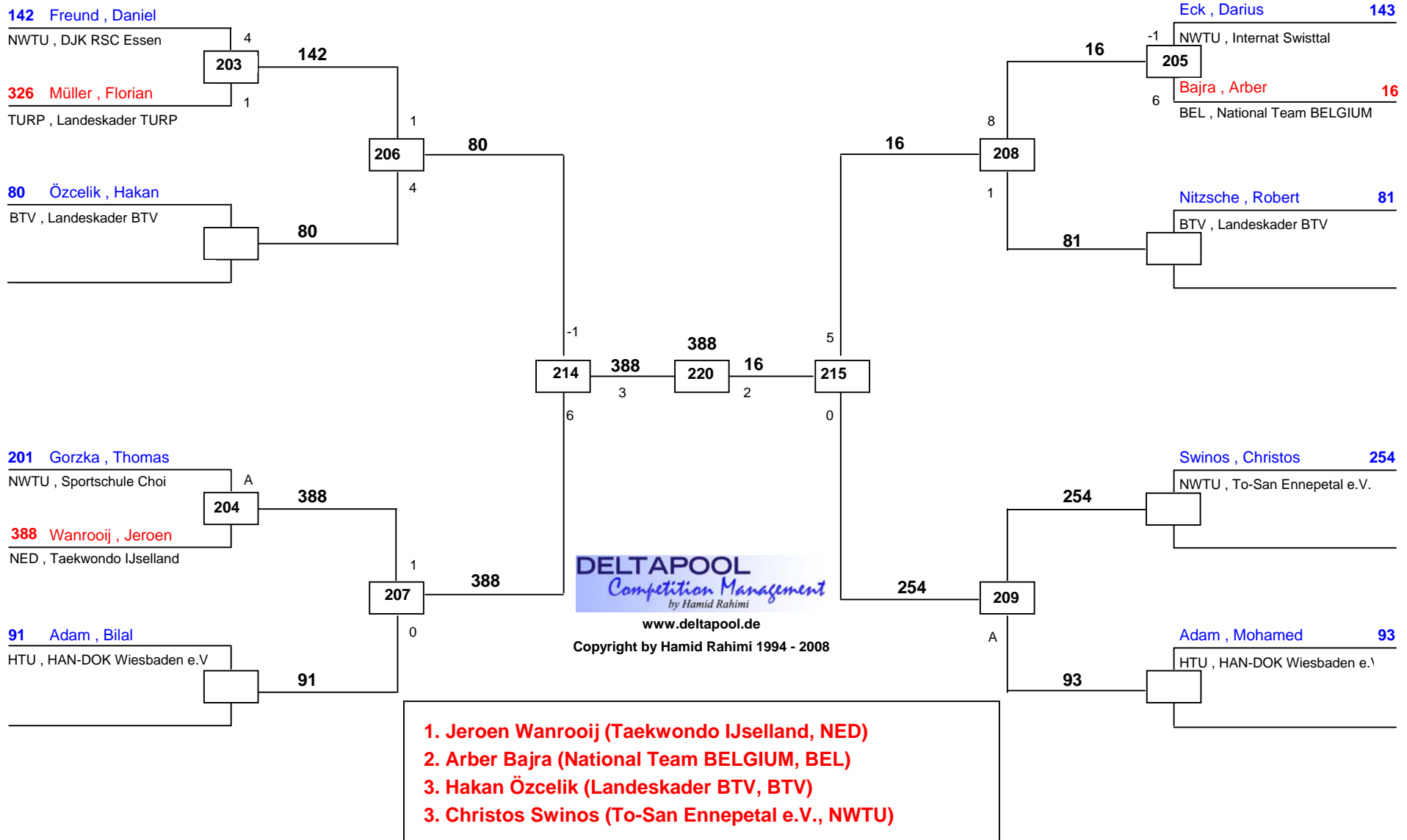


H-78

International Masters NRW

Bonn

am 25.10.2008 - 26.10.2008

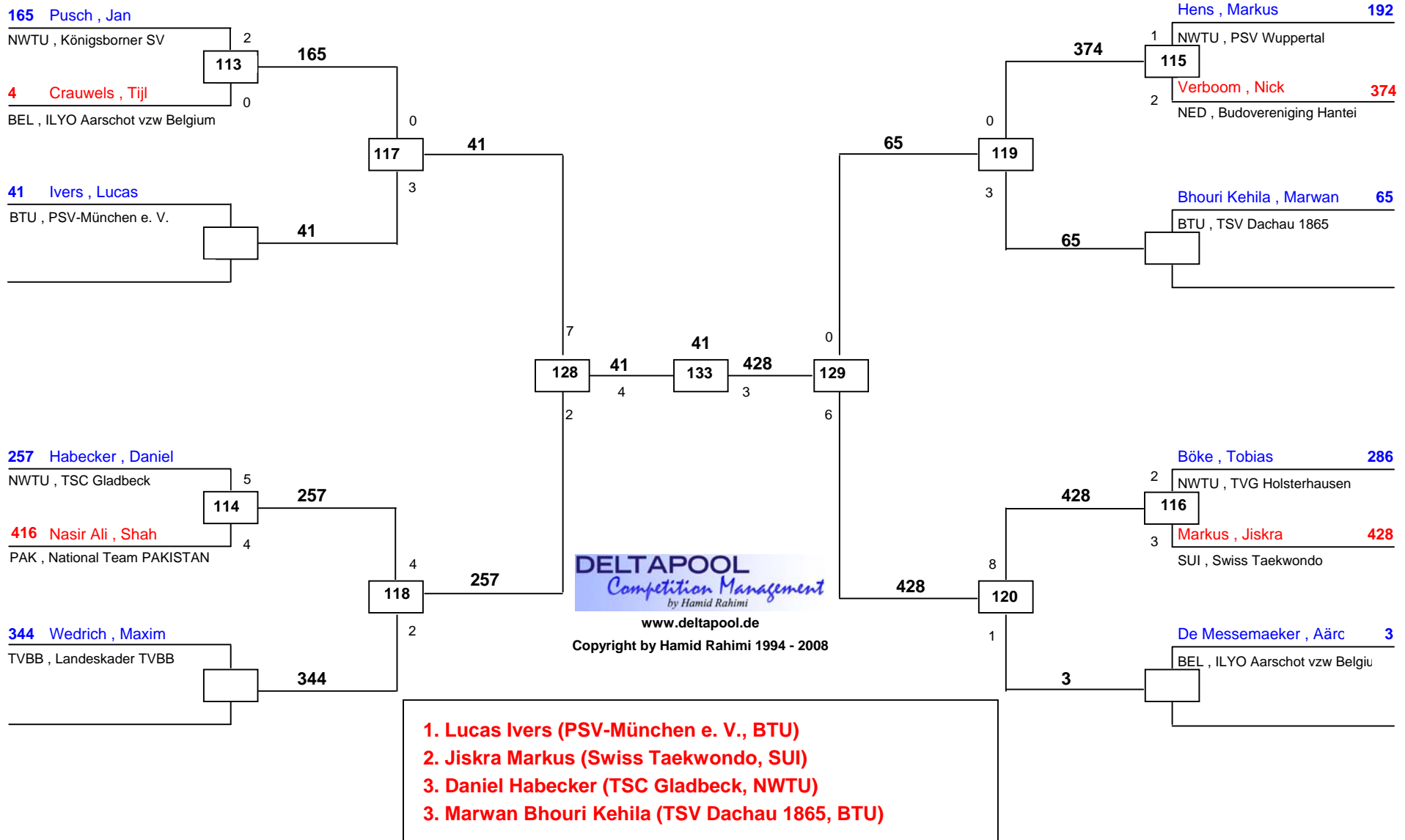


H-84

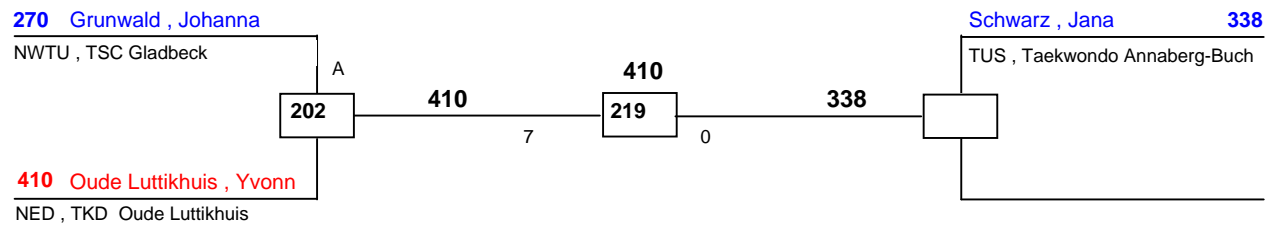
International Masters NRW

Bonn

am 25.10.2008 - 26.10.2008



D+72
International Masters NRW
Bonn
am 25.10.2008 - 26.10.2008



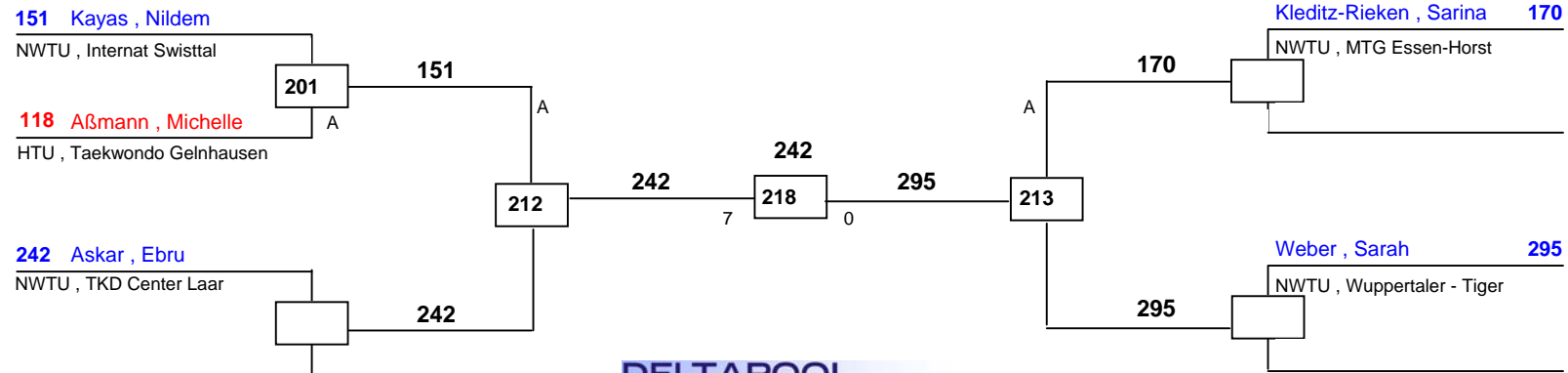
DELTAPOOL
Competition Management
by Hamid Rahimi

www.deltapool.de

Copyright by Hamid Rahimi 1994 - 2008

1. Yvonne Oude Luttikhuis (TKD Oude Luttikhuis, NED)
2. Jana Schwarz (Taekwondo Annaberg-Buchholz e.V., TUS)
3. Johanna Grunwald (TSC Gladbeck, NWTU)

D-51
International Masters NRW
Bonn
am 25.10.2008 - 26.10.2008



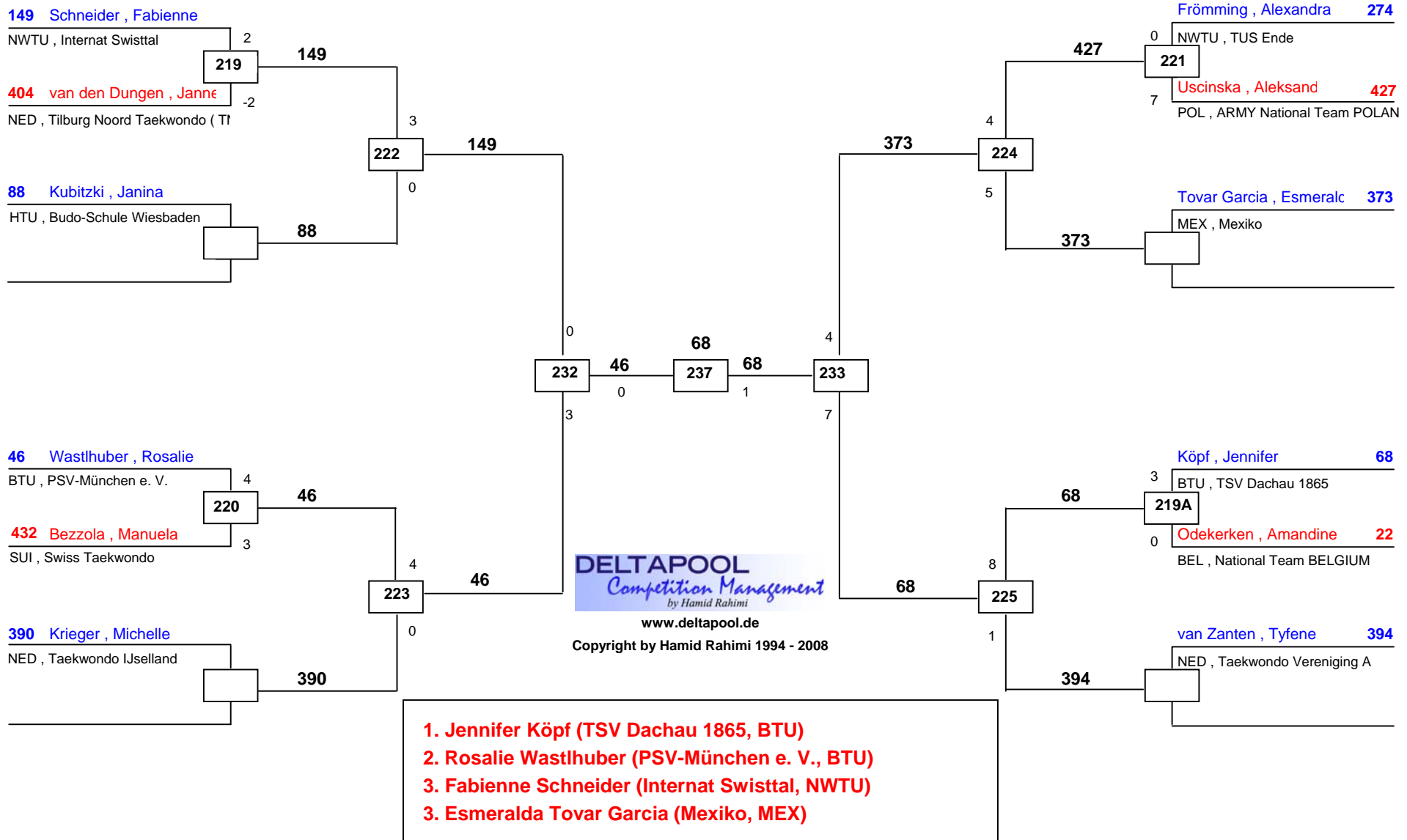
DELTAPOOL
Competition Management
 by Hamid Rahimi

www.deltapool.de

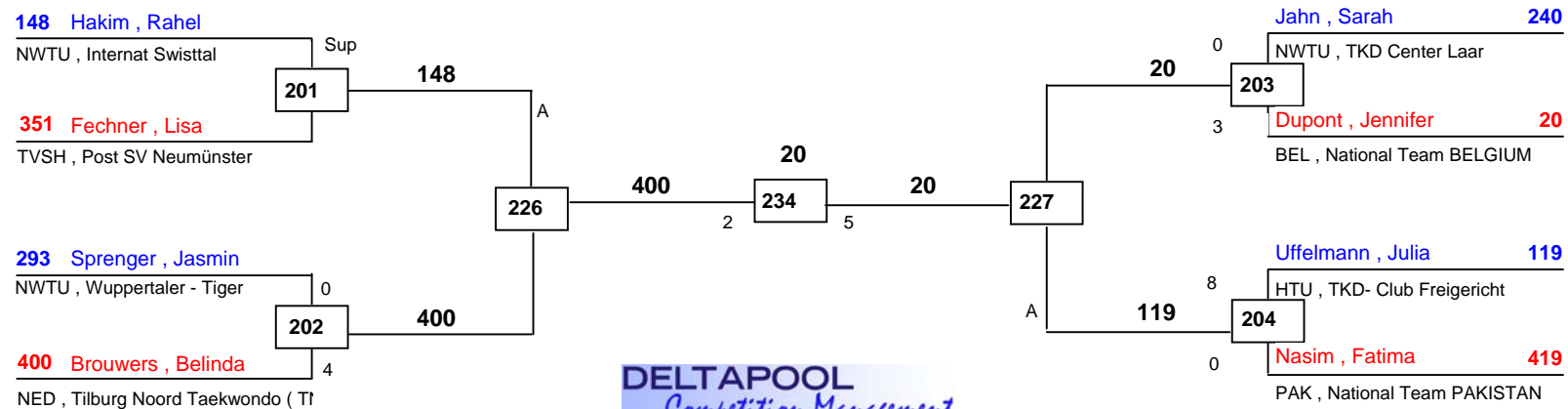
Copyright by Hamid Rahimi 1994 - 2008

1. Ebru Askar (TKD Center Laar, NWTU)
 2. Sarah Weber (Wuppertaler - Tiger, NWTU)
 3. Nildem Kayas (Internat Swisttal, NWTU)
 3. Sarina Kleditz-Rieken (MTG Essen-Horst, NWTU)

D-55
International Masters NRW
Bonn
am 25.10.2008 - 26.10.2008



D-59
International Masters NRW
Bonn
am 25.10.2008 - 26.10.2008

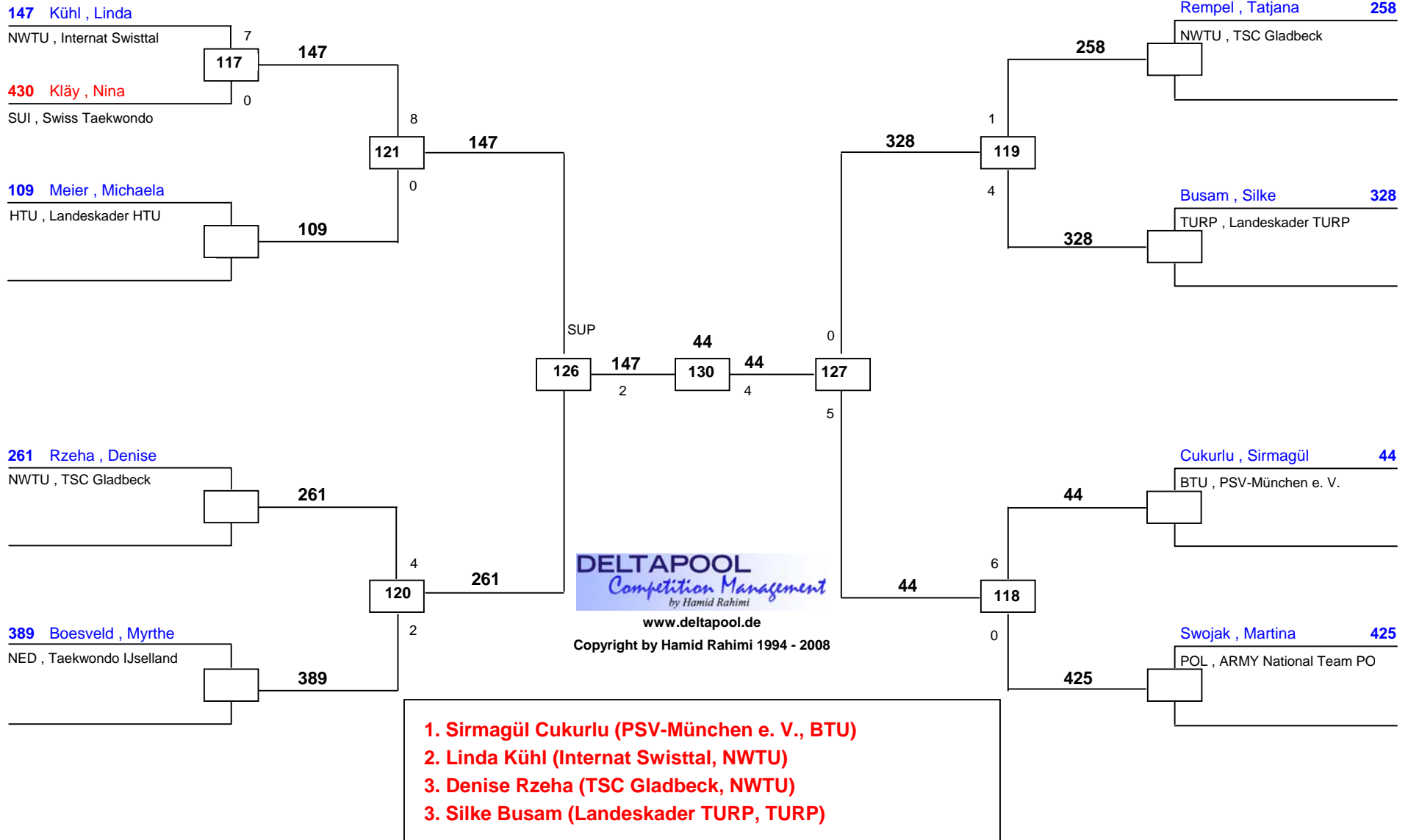


www.deltapool.de

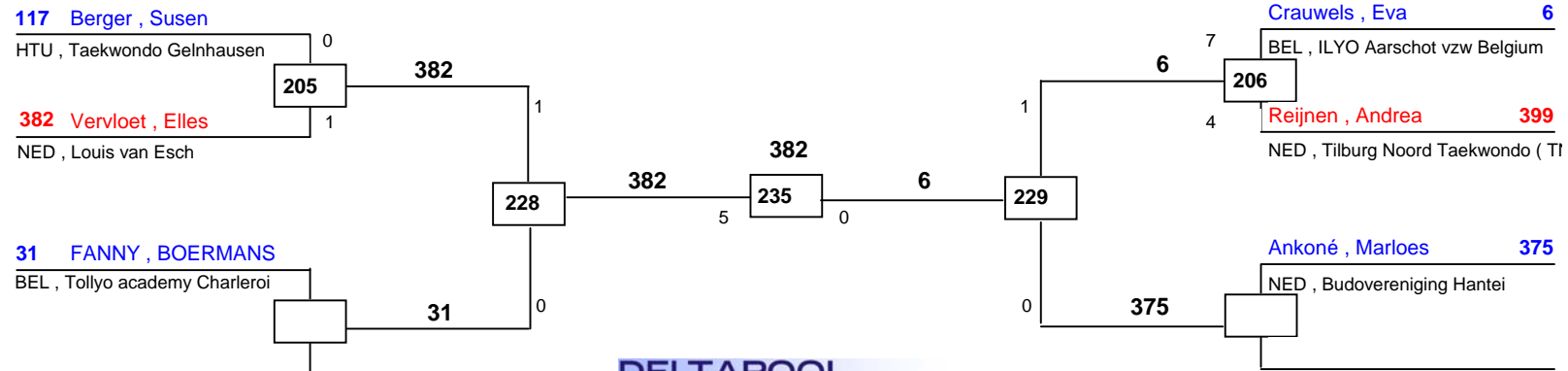
Copyright by Hamid Rahimi 1994 - 2008

- 1. Jennifer Dupont (National Team BELGIUM, BEL)**
- 2. Belinda Brouwers (Tilburg Noord Taekwondo (TNT/SPIO**
- 3. Rahel Hakim (Internat Swisttal, NWTU)**
- 3. Julia Uffelmann (TKD- Club Freigericht, HTU)**

D-63
International Masters NRW
Bonn
am 25.10.2008 - 26.10.2008



D-72
International Masters NRW
Bonn
am 25.10.2008 - 26.10.2008



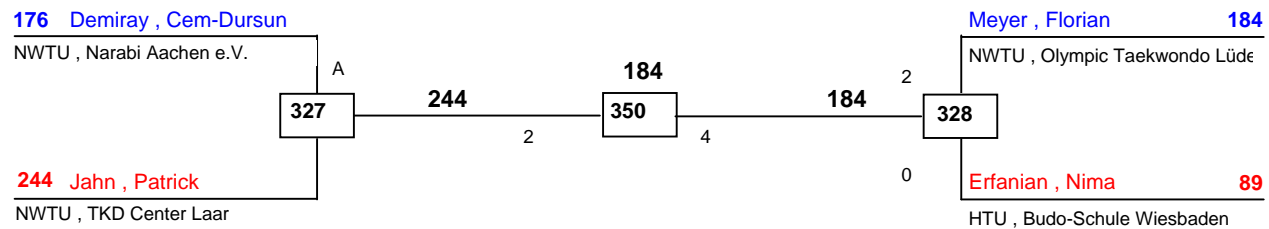
DELTAPOOL
Competition Management
 by Hamid Rahimi

www.deltapool.de

Copyright by Hamid Rahimi 1994 - 2008

- 1. Elles Vervloet (Louis van Esch, NED)
 - 2. Eva Crauwels (ILYO Aarschot vzw Belgium, BEL)
 - 3. BOERMANS FANNY (Tollyo academy Charleroi, BEL)
 - 3. Marloes Ankoné (Budovereniging Hantei, NED)

J Am+78
International Masters NRW
Bonn
am 25.10.2008 - 26.10.2008



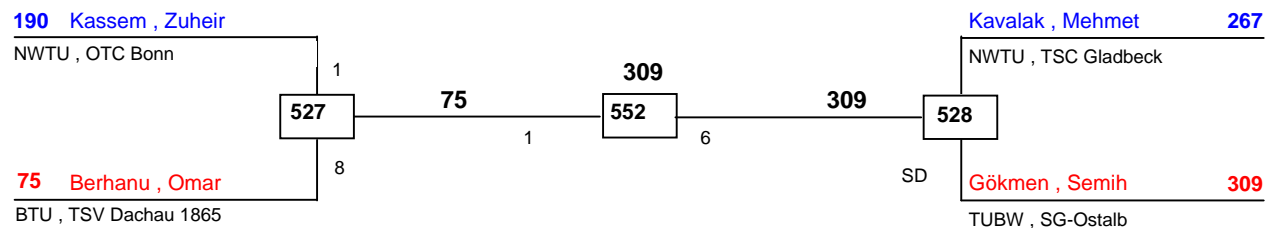
DELTAPOOL
Competition Management
by Hamid Rahimi

www.deltapool.de

Copyright by Hamid Rahimi 1994 - 2008

1. Florian Meyer (Olympic Taekwondo Lüdenscheid, NWTU)
2. Patrick Jahn (TKD Center Laar, NWTU)
3. Cem-Dursun Demiray (Narabi Aachen e.V., NWTU)
3. Nima Erfanian (Budo-Schule Wiesbaden, HTU)

J Am-45
International Masters NRW
Bonn
am 25.10.2008 - 26.10.2008



DELTAPOOL
Competition Management
by Hamid Rahimi

www.deltapool.de

Copyright by Hamid Rahimi 1994 - 2008

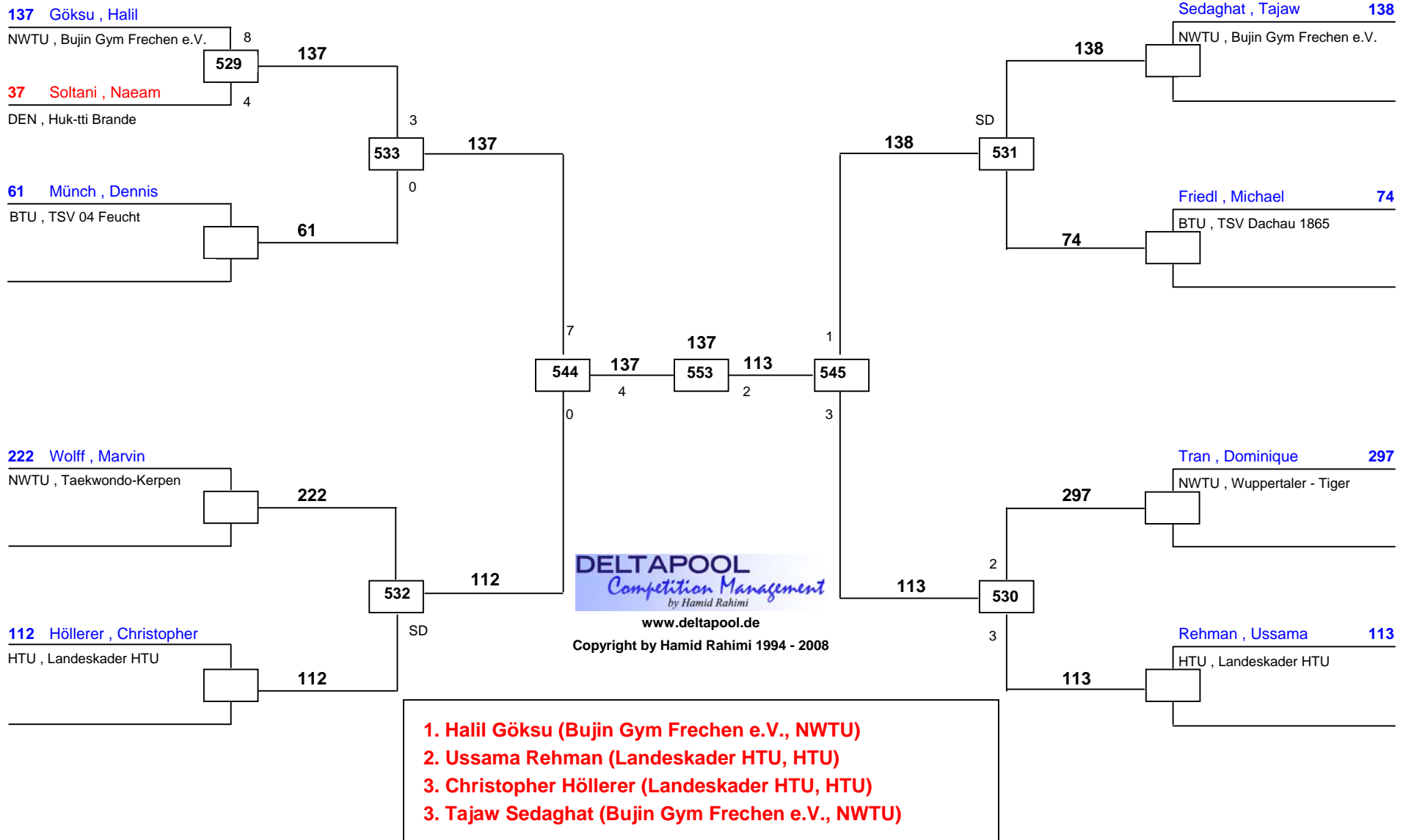
1. Semih Gökmen (SG-Ostalb, TUBW)
2. Omar Berhanu (TSV Dachau 1865, BTU)
3. Zuheir Kassem (OTC Bonn, NWTU)
3. Mehmet Kavalak (TSC Gladbeck, NWTU)

J Am-48

International Masters NRW

Bonn

am 25.10.2008 - 26.10.2008

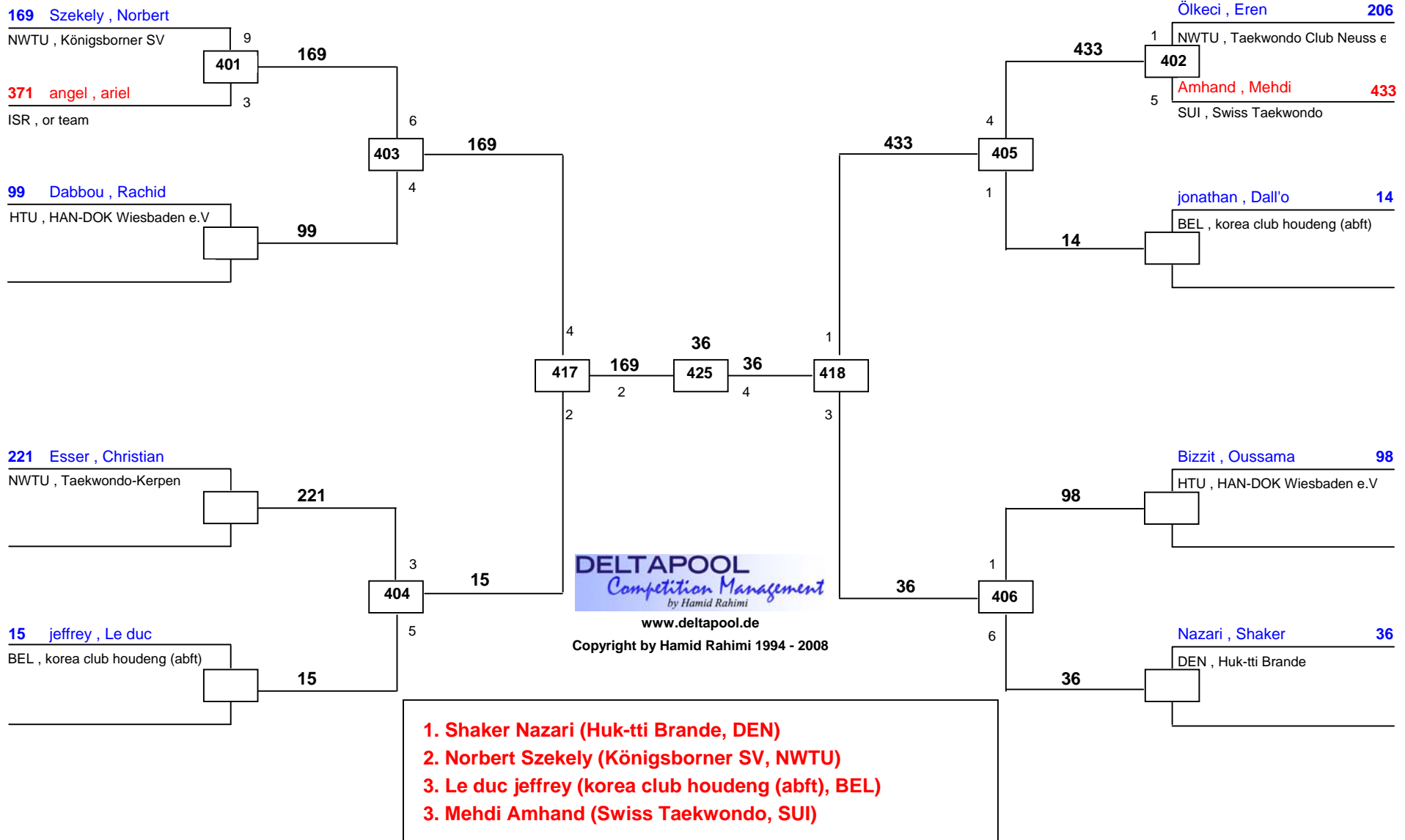


J Am-51

International Masters NRW

Bonn

am 25.10.2008 - 26.10.2008

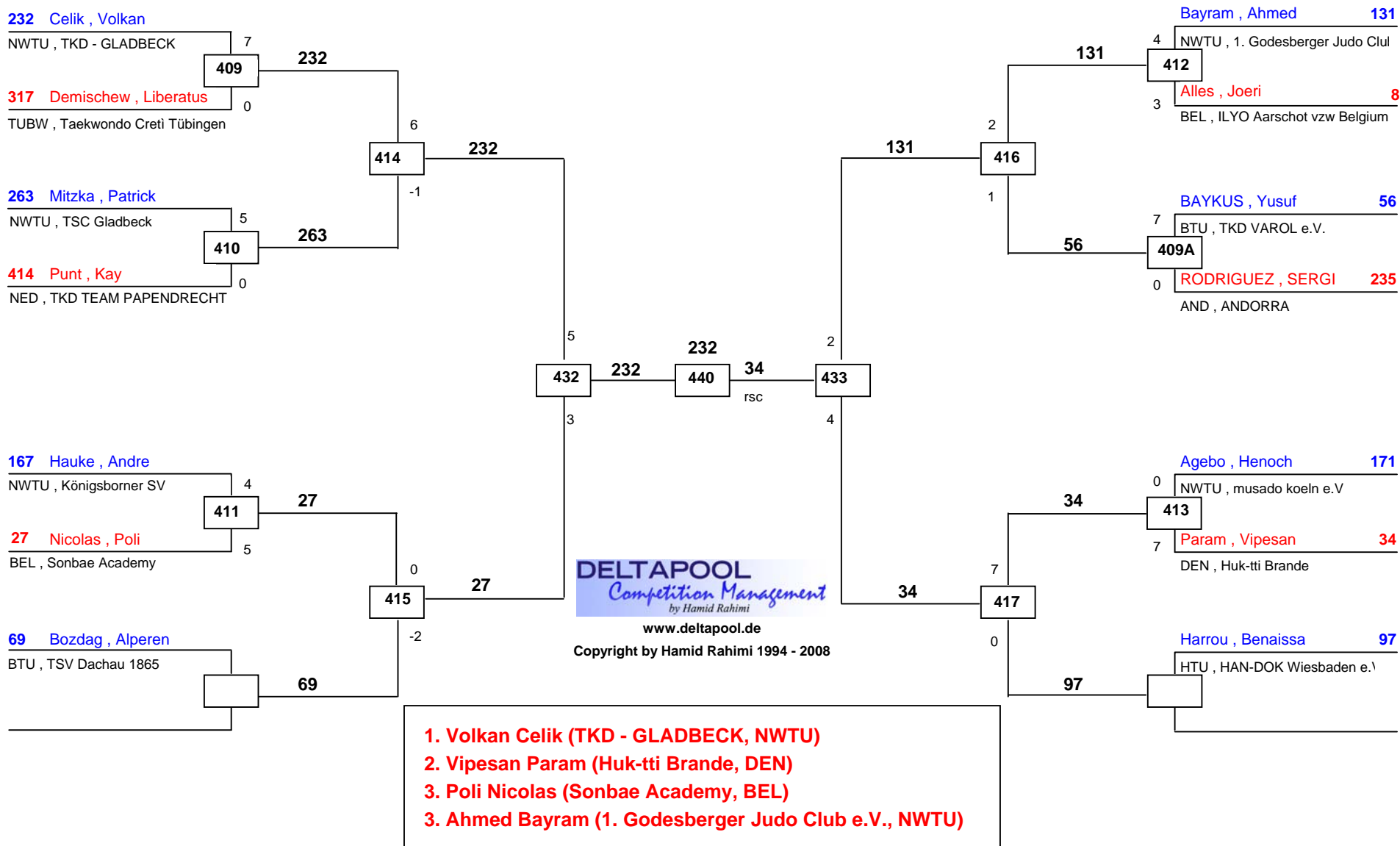


J Am-55

International Masters NRW

Bonn

am 25.10.2008 - 26.10.2008

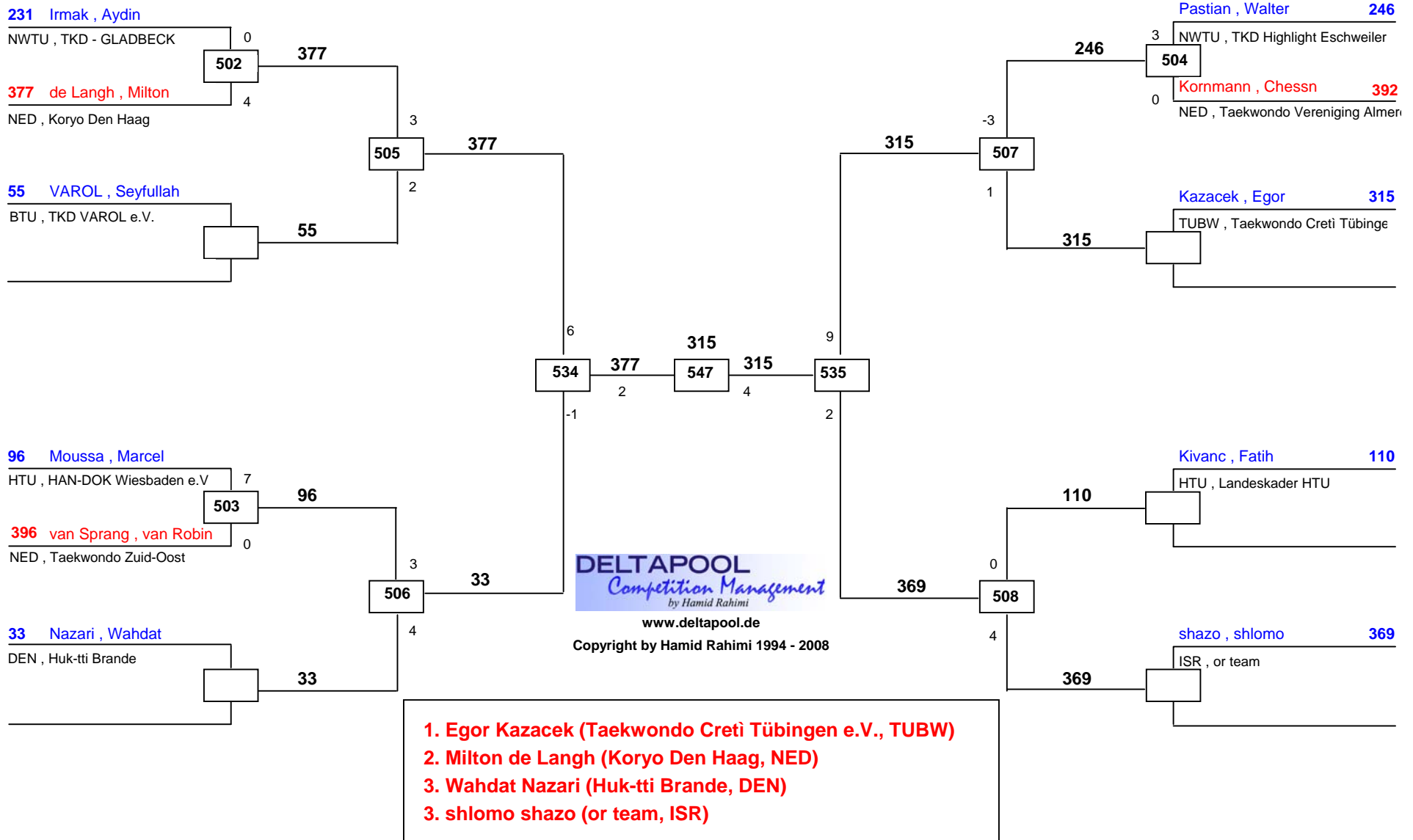


J Am-59

International Masters NRW

Bonn

am 25.10.2008 - 26.10.2008

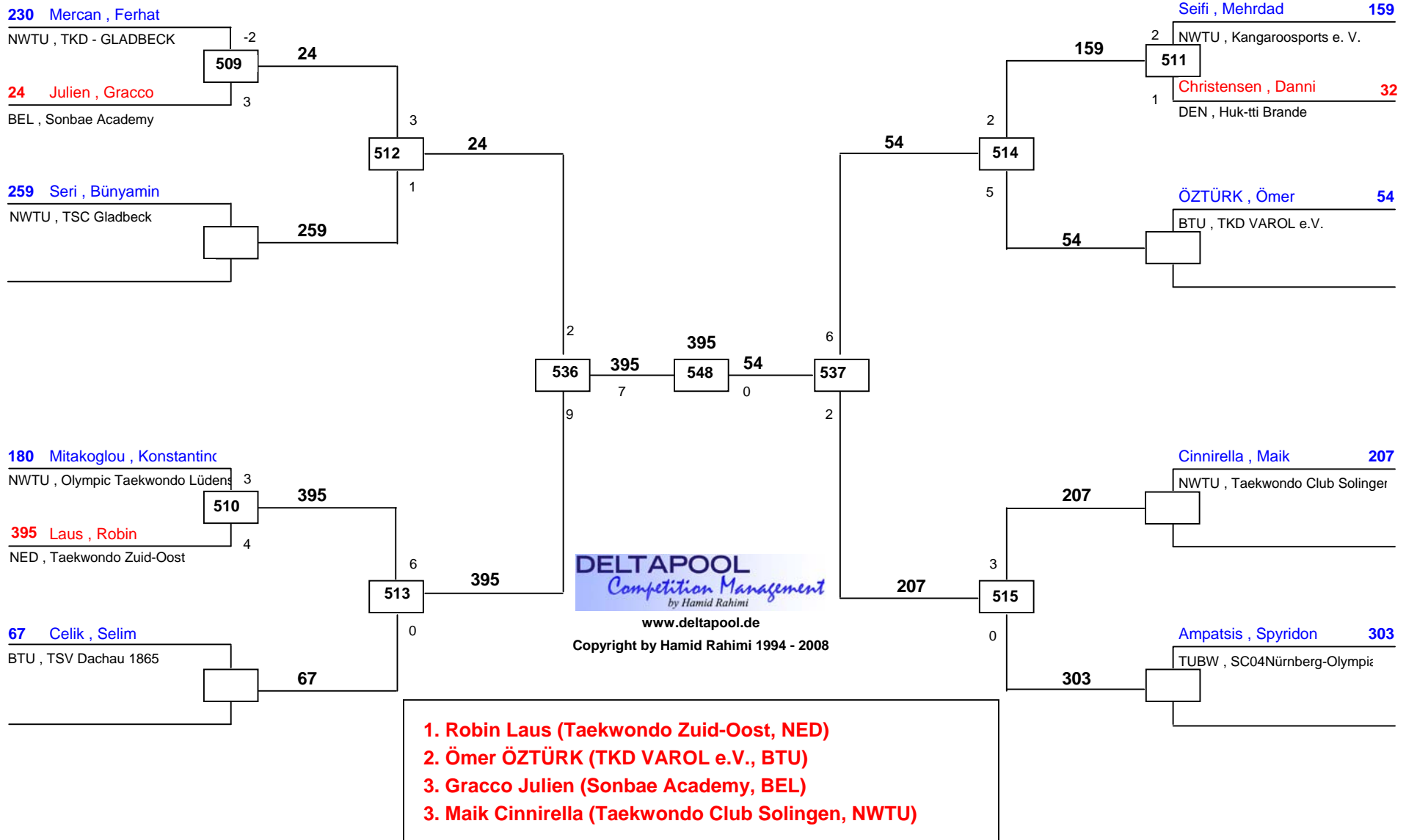


J Am-63

International Masters NRW

Bonn

am 25.10.2008 - 26.10.2008

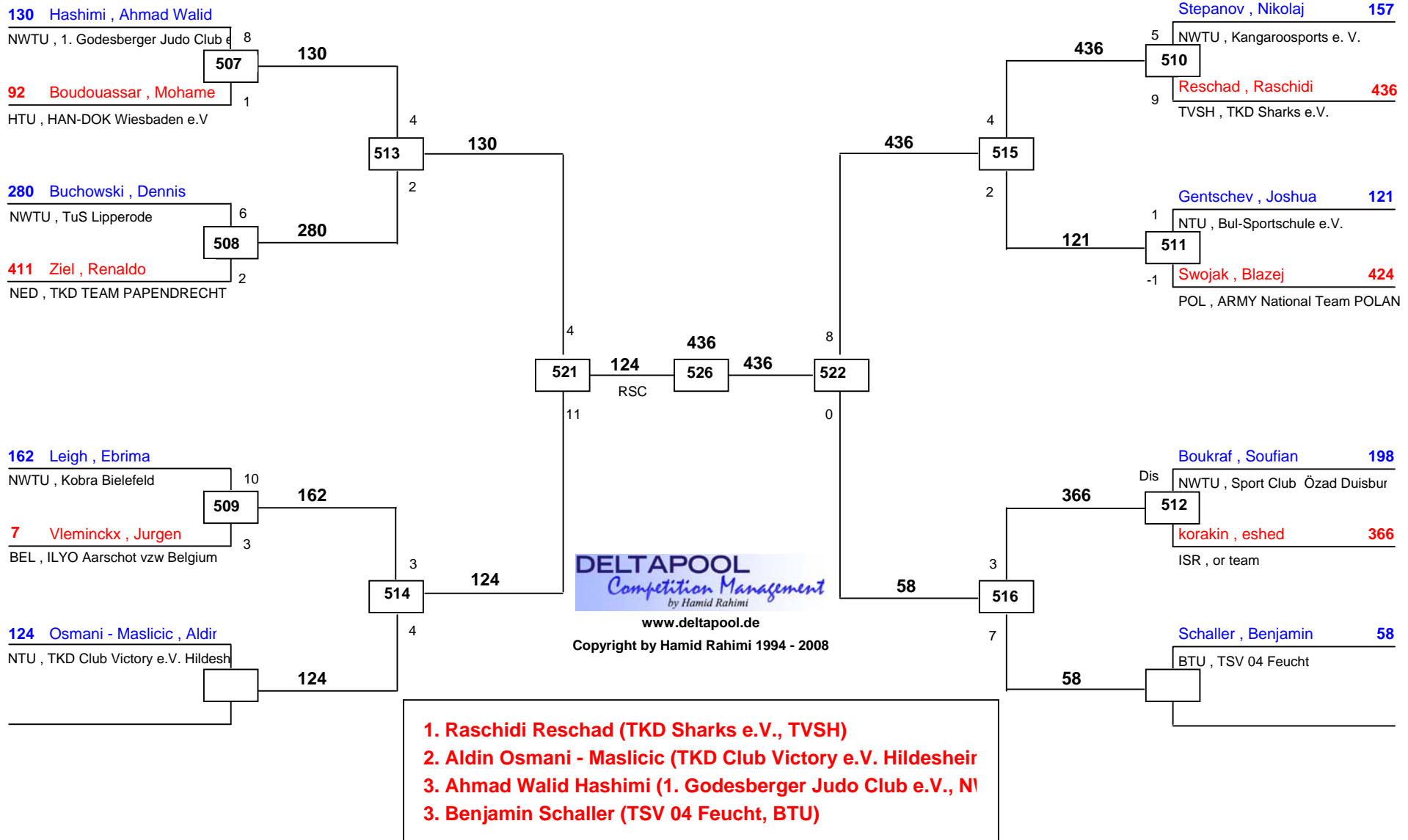


J Am-68

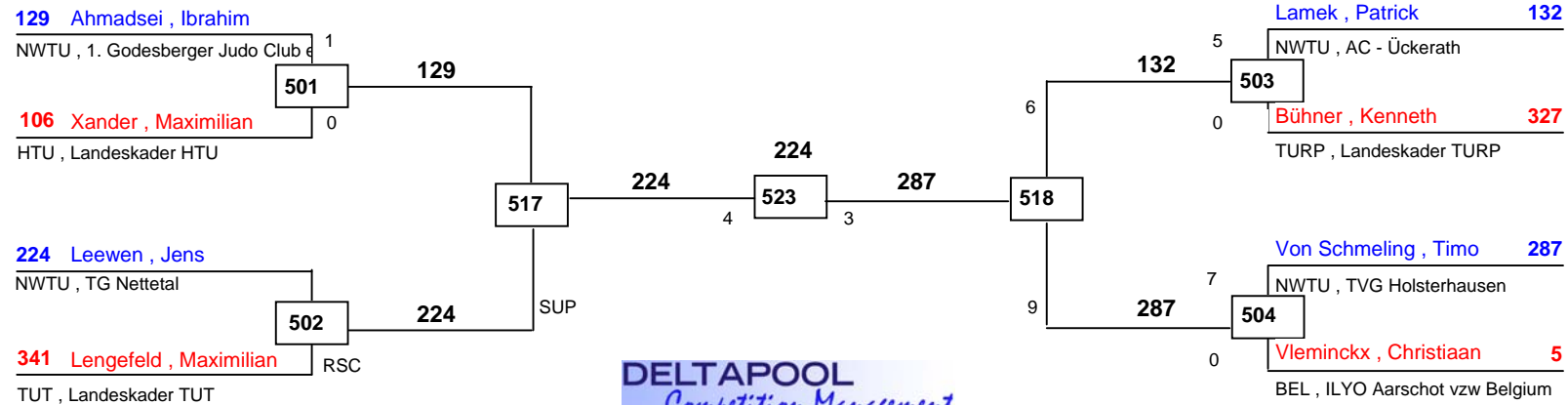
International Masters NRW

Bonn

am 25.10.2008 - 26.10.2008



J Am-73
International Masters NRW
Bonn
am 25.10.2008 - 26.10.2008

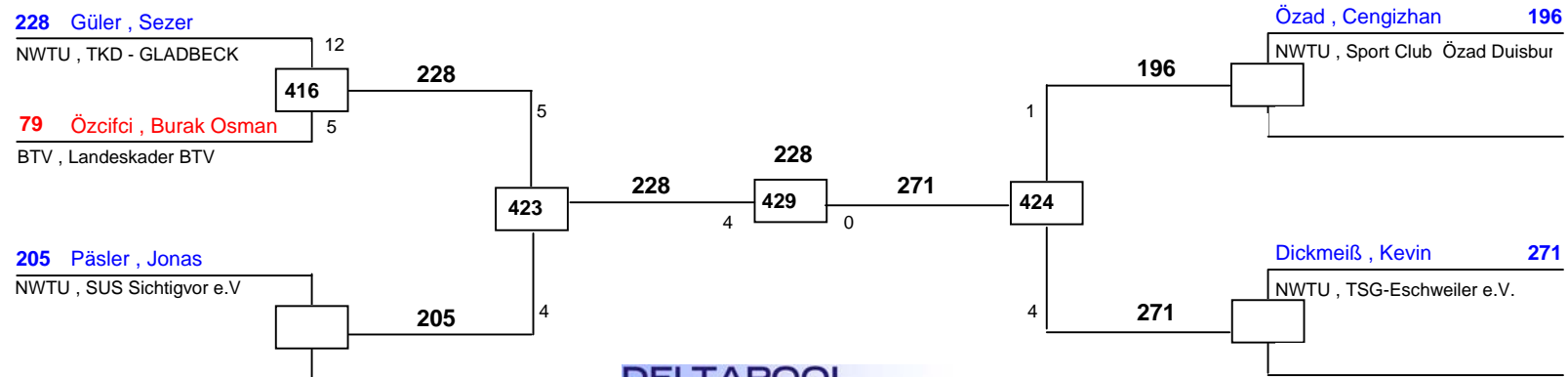


www.deltapool.de

Copyright by Hamid Rahimi 1994 - 2008

- 1. Jens Leewen (TG Nettetel, NWTU)**
- 2. Timo Von Schmeling (TVG Holsterhausen, NWTU)**
- 3. Ibrahim Ahmadsei (1. Godesberger Judo Club e.V., NWTU)**
- 3. Patrick Lamek (AC - Ückerath, NWTU)**

J Am-78
International Masters NRW
Bonn
am 25.10.2008 - 26.10.2008



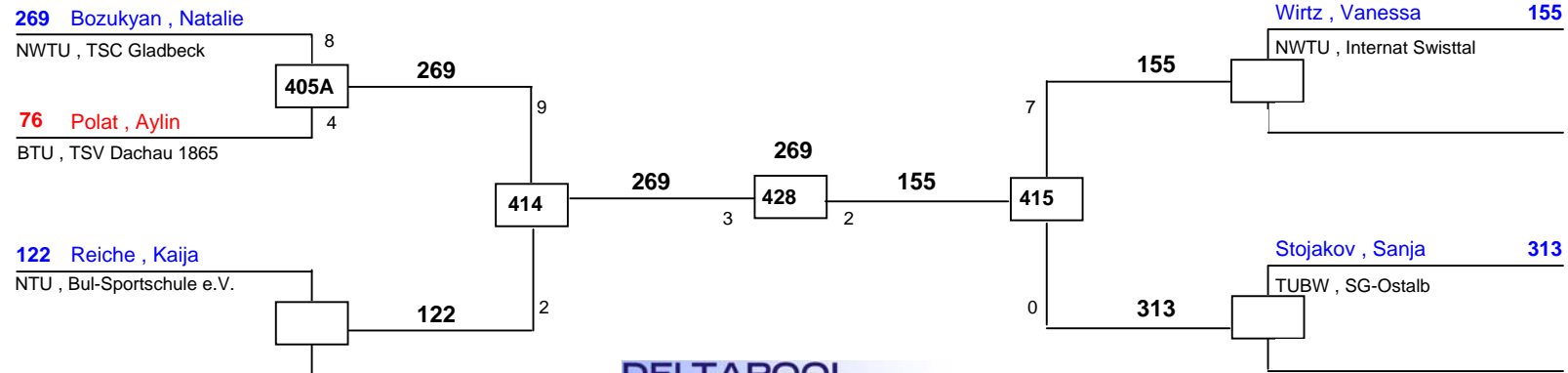
DELTAPOOL
Competition Management
by Hamid Rahimi

www.deltapool.de

Copyright by Hamid Rahimi 1994 - 2008

- 1. Sezer Güler (TKD - GLADBECK, NWTU)**
- 2. Kevin Dickmeiß (TSG-Eschweiler e.V., NWTU)**
- 3. Jonas Päsler (SUS Sichtigvor e.V, NWTU)**
- 3. Cengizhan Özad (Sport Club Özad Duisburg, NWTU)**

J Aw+68
International Masters NRW
Bonn
am 25.10.2008 - 26.10.2008



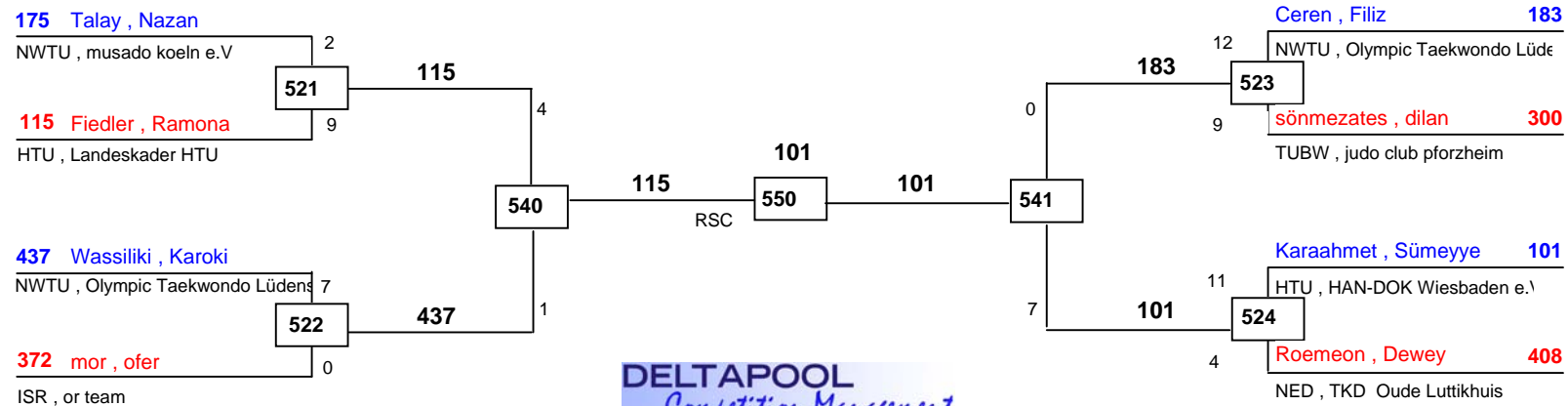
DELTAPOOL
Competition Management
by Hamid Rahimi

www.deltapool.de

Copyright by Hamid Rahimi 1994 - 2008

- 1. Natalie Bozukyan (TSC Gladbeck, NWTU)
 - 2. Vanessa Wirtz (Internat Swisttal, NWTU)
 - 3. Kaija Reiche (Bul-Sportschule e.V., NTU)
 - 3. Sanja Stojakov (SG-Ostalb, TUBW)

J Aw-44
International Masters NRW
Bonn
am 25.10.2008 - 26.10.2008



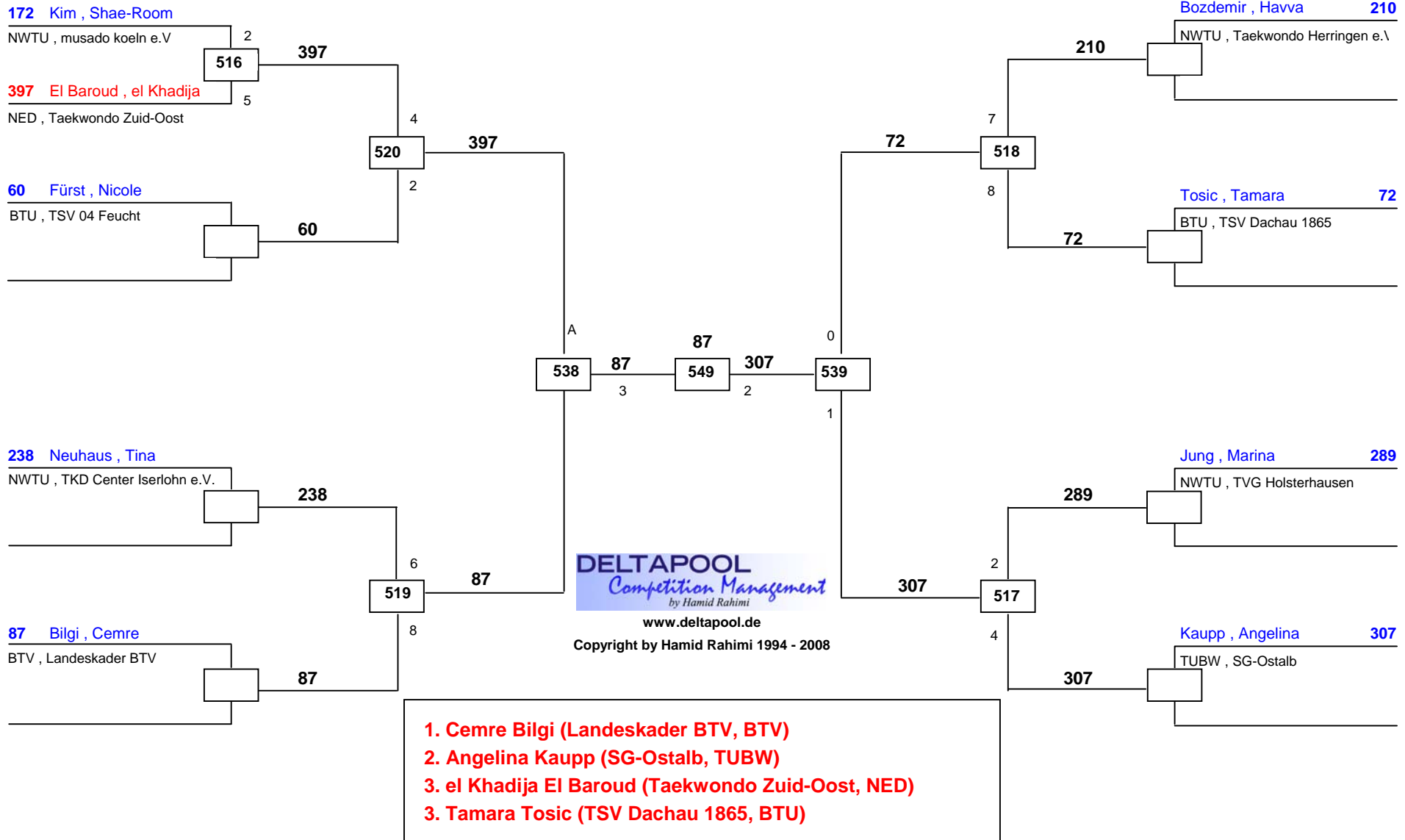
DELTAPOOL
Competition Management
by Hamid Rahimi

www.deltapool.de

Copyright by Hamid Rahimi 1994 - 2008

1. Sümeyye Karaahmet (HAN-DOK Wiesbaden e.V, HTU)
2. Ramona Fiedler (Landeskader HTU, HTU)
3. Karoki Wassiliki (Olympic Taekwondo Lüdenscheid, NWT)
3. Filiz Ceren (Olympic Taekwondo Lüdenscheid, NWTU)

J Aw-49
International Masters NRW
Bonn
am 25.10.2008 - 26.10.2008

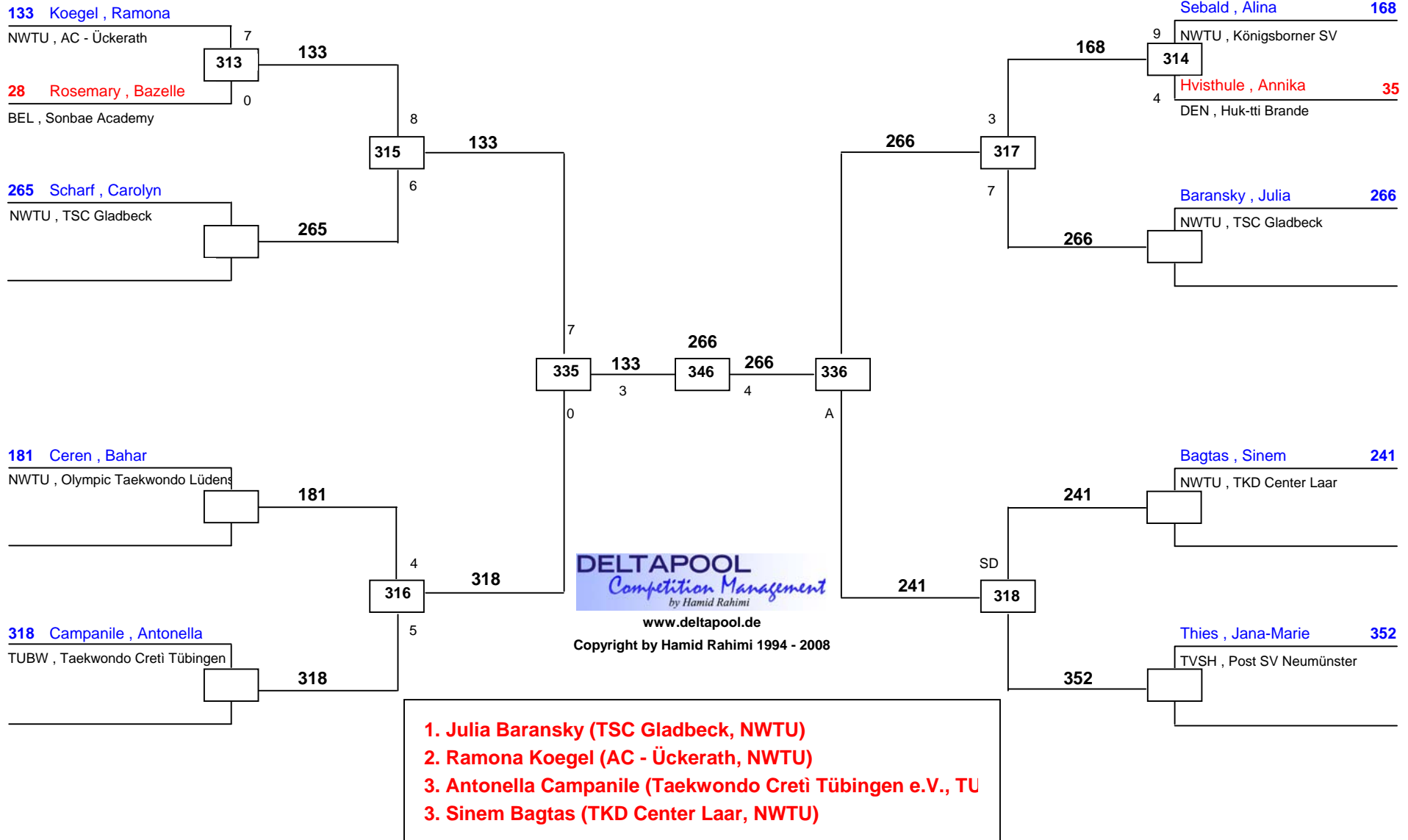


J Aw-52

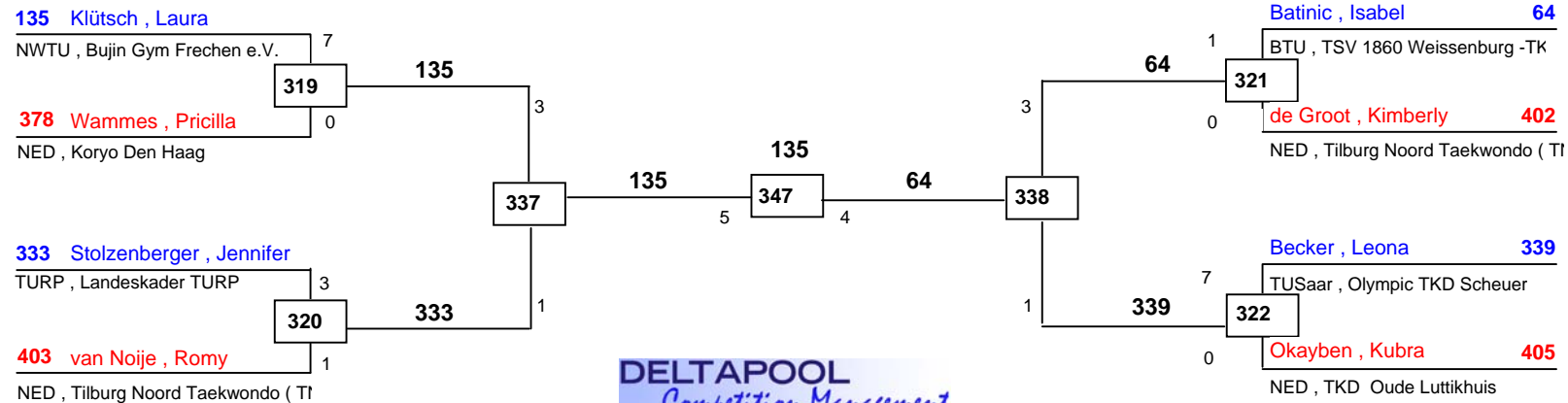
International Masters NRW

Bonn

am 25.10.2008 - 26.10.2008



J Aw-55
International Masters NRW
Bonn
am 25.10.2008 - 26.10.2008



DELTAPOOL
Competition Management
by Hamid Rahimi
www.deltapool.de

Copyright by Hamid Rahimi 1994 - 2008

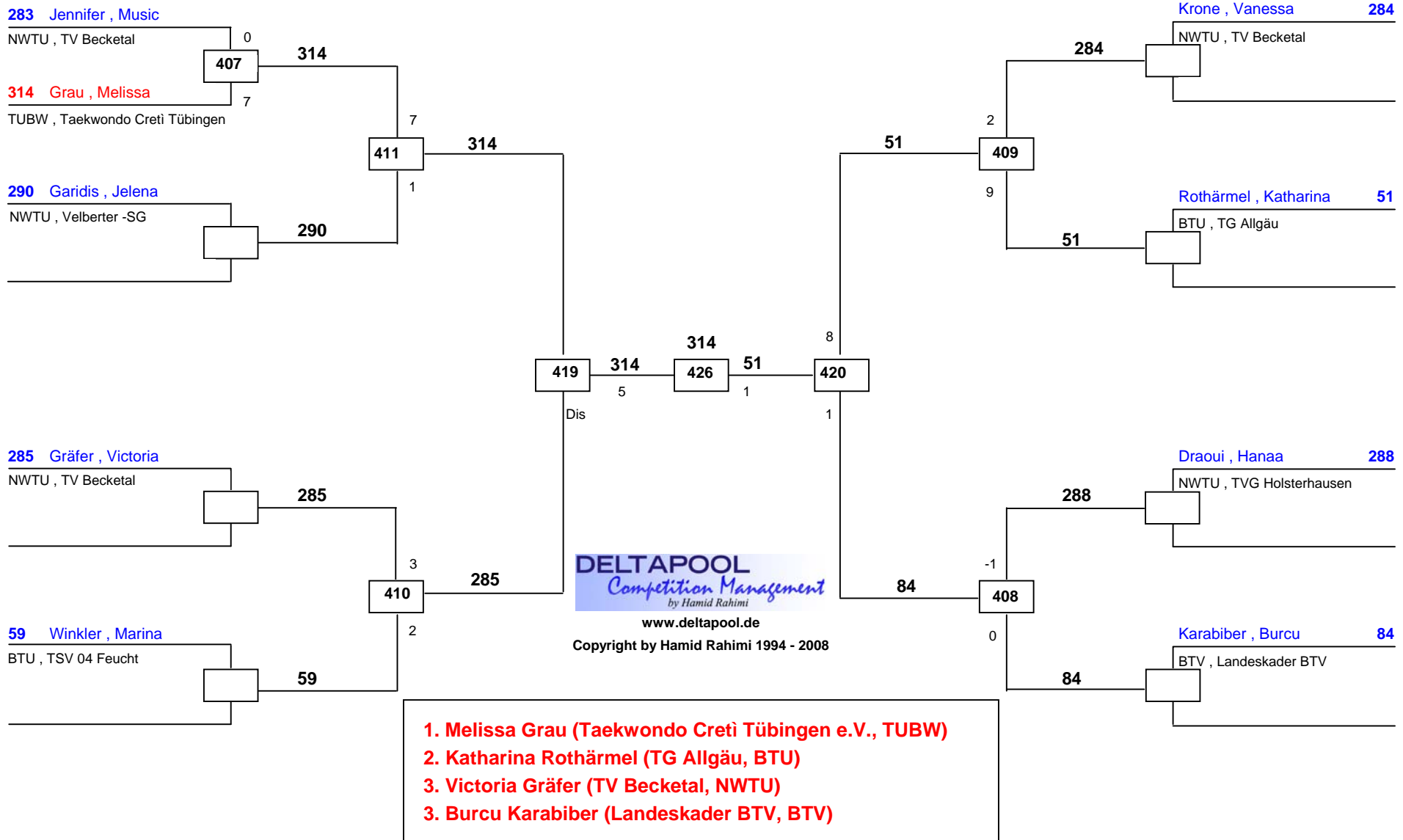
- 1. Laura Klütsch (Bujin Gym Frechen e.V., NWTU)**
- 2. Isabel Batinic (TSV 1860 Weissenburg -TKD Batinic, BTU)**
- 3. Jennifer Stolzenberger (Landeskader TURP, TURP)**
- 3. Leona Becker (Olympic TKD Scheuerfeld, TUSaar)**

J Aw-59

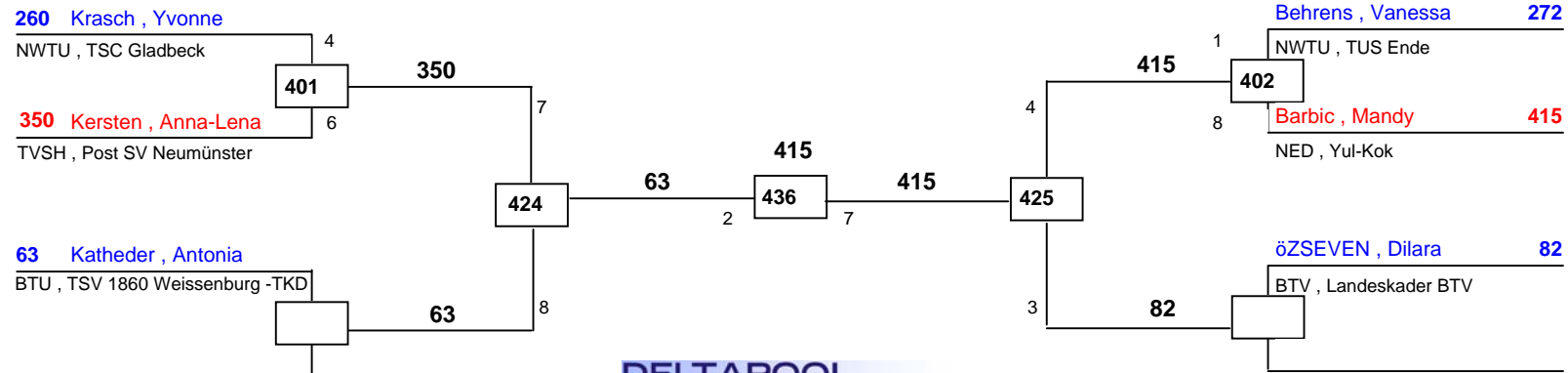
International Masters NRW

Bonn

am 25.10.2008 - 26.10.2008



J Aw-63
International Masters NRW
Bonn
am 25.10.2008 - 26.10.2008



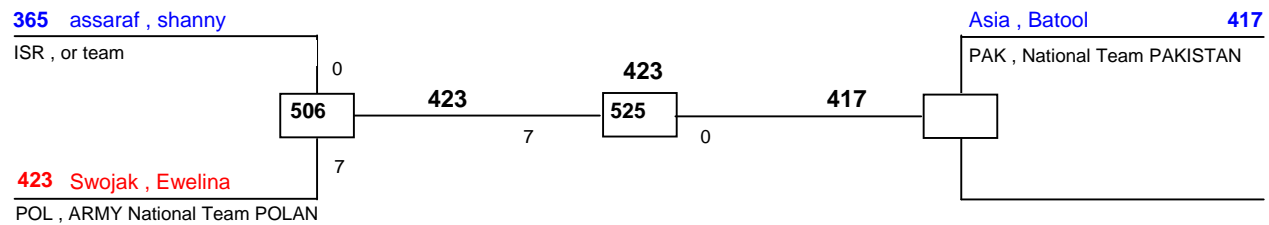
DELTAPOOL
Competition Management
by Hamid Rahimi

www.deltapool.de

Copyright by Hamid Rahimi 1994 - 2008

- 1. Mandy Barbic (Yul-Kok, NED)**
 - 2. Antonia Katheder (TSV 1860 Weissenburg -TKD Batinic, E)**
 - 3. Anna-Lena Kersten (Post SV Neumünster, TVSH)**
 - 3. Dilara özSEVEN (Landeskader BTU, BTU)**

J Aw-68
International Masters NRW
Bonn
am 25.10.2008 - 26.10.2008



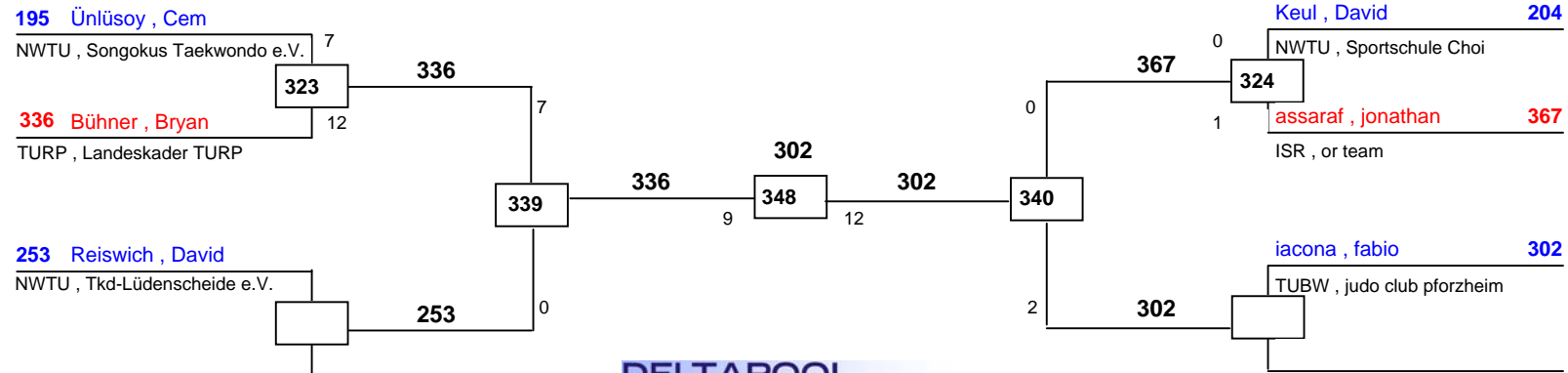
DELTAPOOL
Competition Management
by Hamid Rahimi

www.deltapool.de

Copyright by Hamid Rahimi 1994 - 2008

1. Ewelina Swojak (ARMY National Team POLAND, POL)
2. Batool Asia (National Team PAKISTAN, PAK)
3. shanny assaraf (or team, ISR)

J Bm+65
International Masters NRW
Bonn
am 25.10.2008 - 26.10.2008



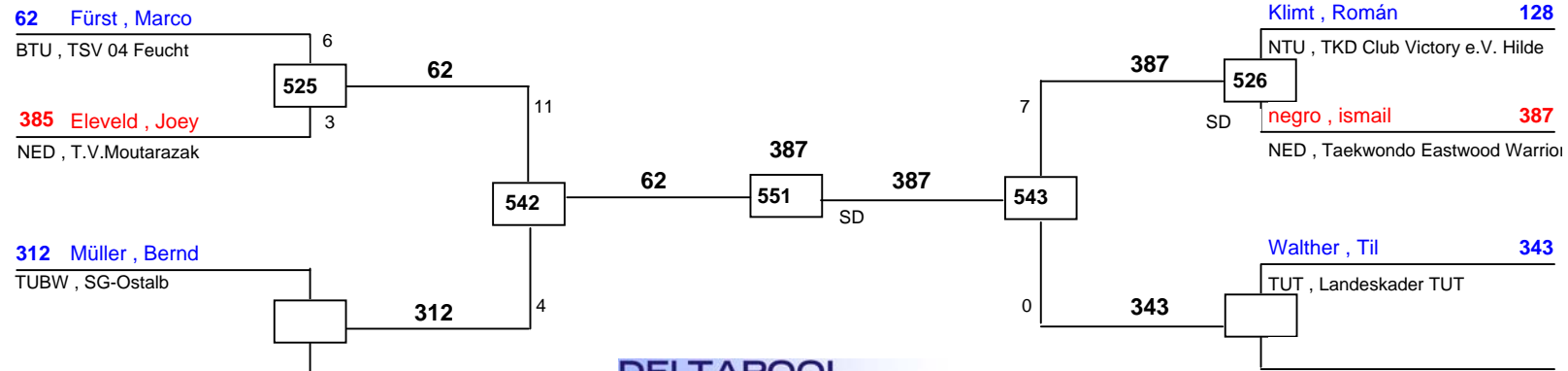
DELTAPOOL
Competition Management
 by Hamid Rahimi

www.deltapool.de

Copyright by Hamid Rahimi 1994 - 2008

1. fabio iacona (judo club pforzheim, TUBW)
 2. Bryan Bühner (Landeskader TURP, TURP)
 3. David Reiswich (Tkd-Lüdenscheide e.V., NWTU)
 3. jonathan assaraf (or team, ISR)

J Bm-33
International Masters NRW
Bonn
am 25.10.2008 - 26.10.2008



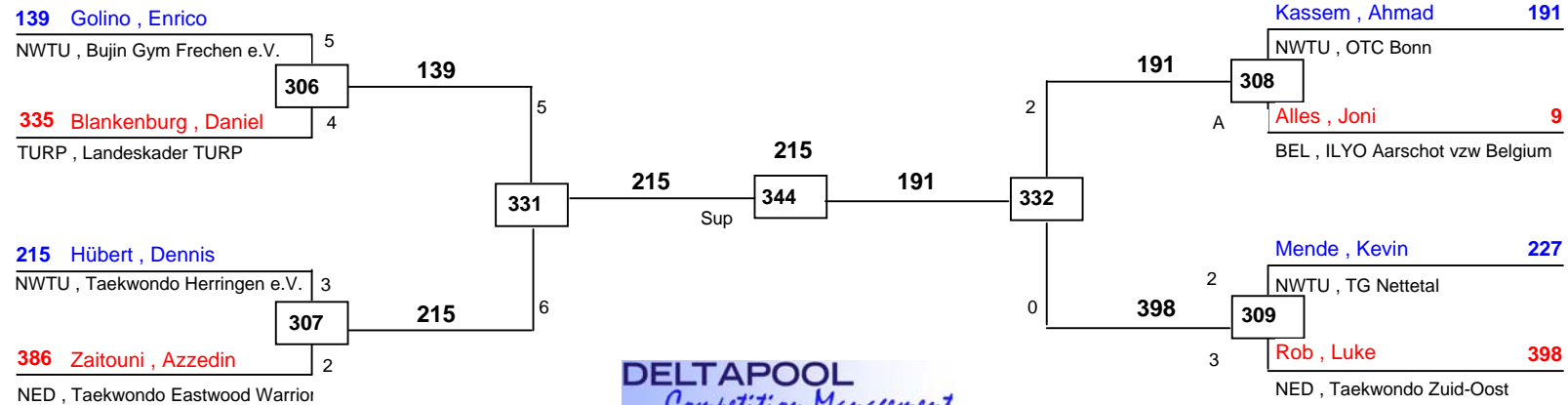
DELTAPOOL
Competition Management
 by Hamid Rahimi

www.deltapool.de

Copyright by Hamid Rahimi 1994 - 2008

1. ismail negro (Taekwondo Eastwood Warriors, NED)
 2. Marco Fürst (TSV 04 Feucht, BTU)
 3. Bernd Müller (SG-Ostalb, TUBW)
 3. Til Walther (Landeskader TUT, TUT)

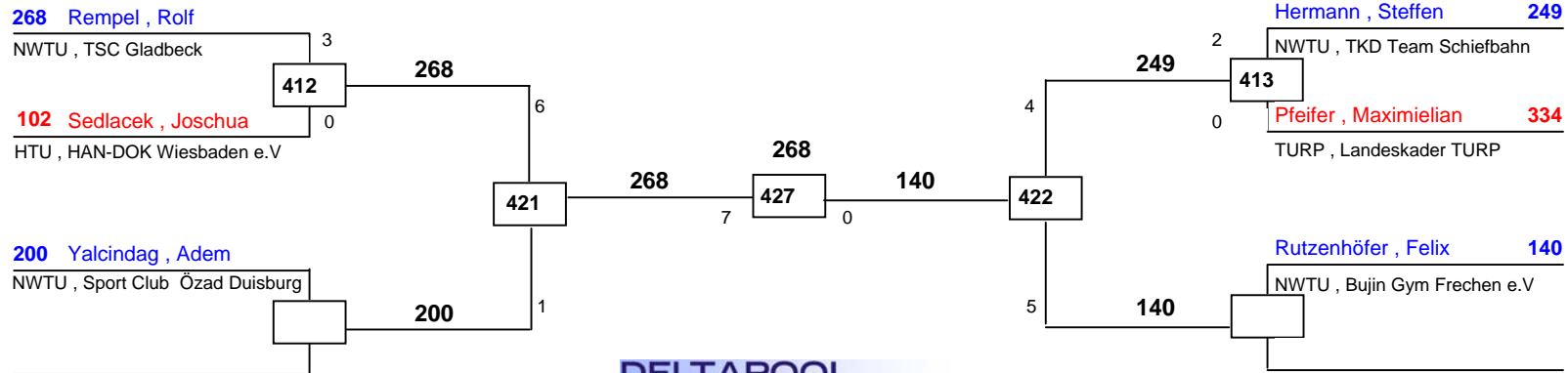
J Bm-37
International Masters NRW
Bonn
am 25.10.2008 - 26.10.2008



Copyright by Hamid Rahimi 1994 - 2008

- 1. Dennis Hübert (Taekwondo Herringen e.V., NWTU)**
- 2. Ahmad Kassem (OTC Bonn, NWTU)**
- 3. Enrico Golino (Bujin Gym Frechen e.V., NWTU)**
- 3. Luke Rob (Taekwondo Zuid-Oost, NED)**

J Bm-41
International Masters NRW
Bonn
am 25.10.2008 - 26.10.2008



www.deltapool.de

Copyright by Hamid Rahimi 1994 - 2008

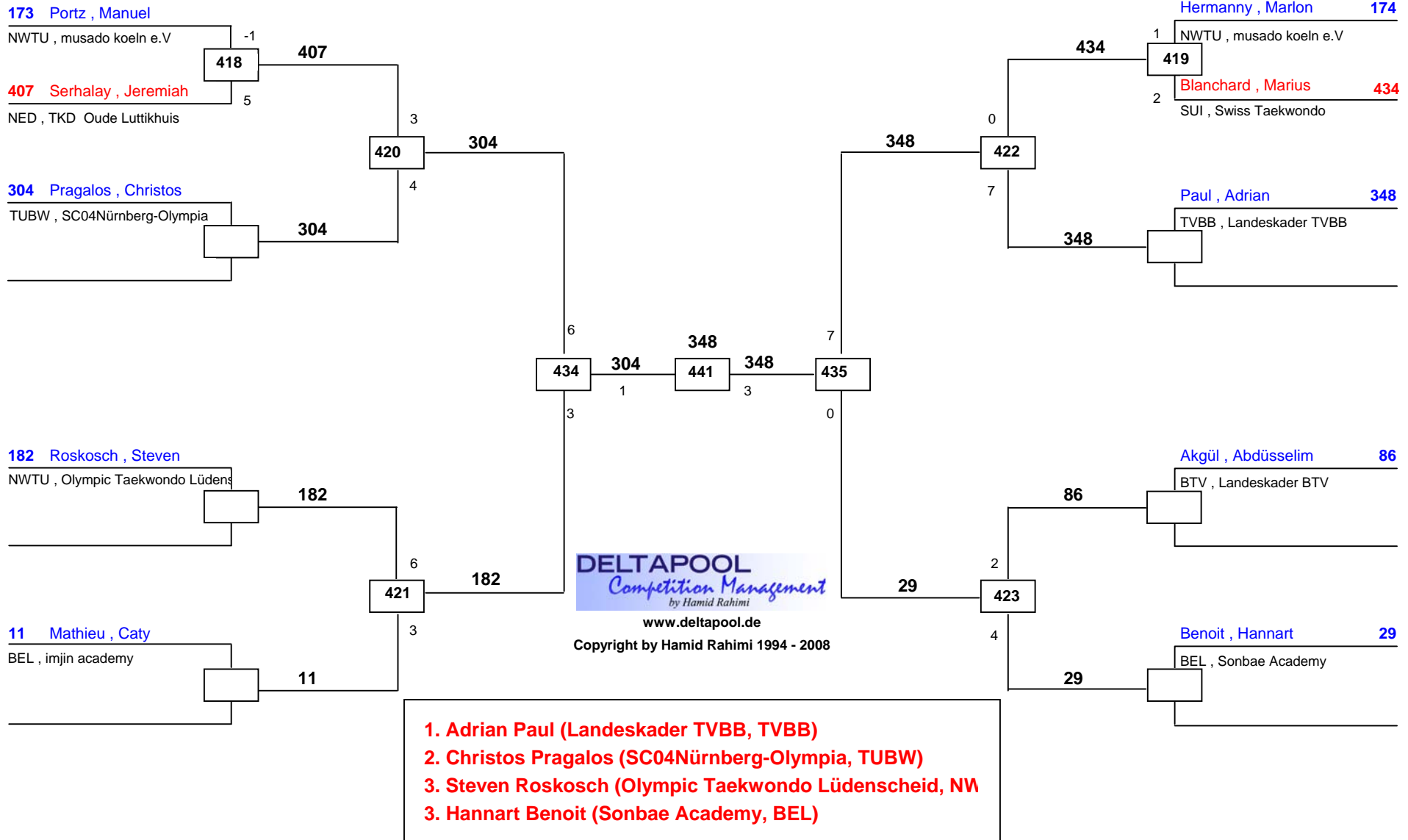
1. Rolf Rempel (TSC Gladbeck, NWTU)
2. Felix Rutzenhöfer (Bujin Gym Frechen e.V., NWTU)
3. Adem Yalcindag (Sport Club Özad Duisburg, NWTU)
3. Steffen Hermann (TKD Team Schiefbahn, NWTU)

J Bm-45

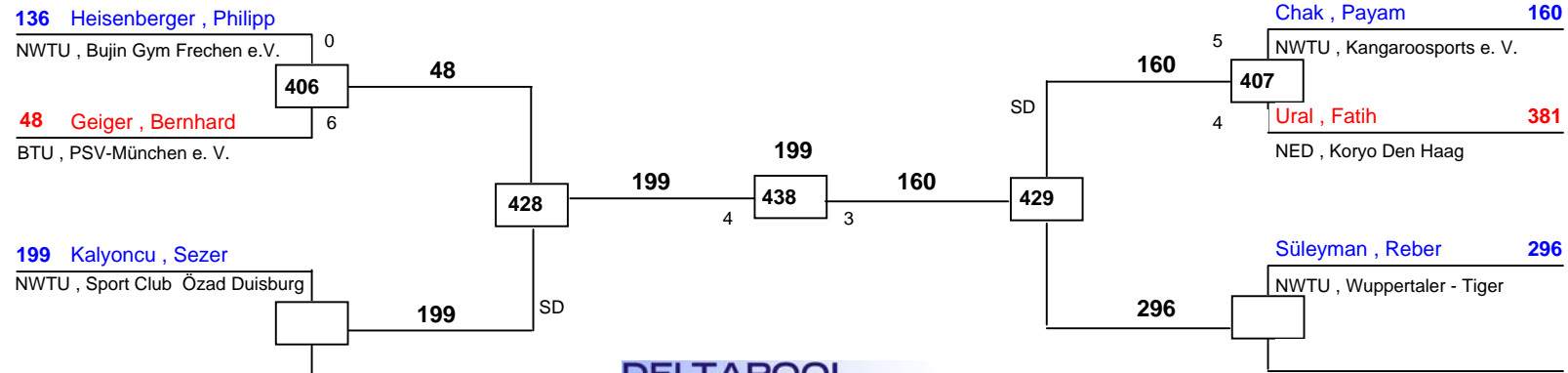
International Masters NRW

Bonn

am 25.10.2008 - 26.10.2008



J Bm-49
International Masters NRW
Bonn
am 25.10.2008 - 26.10.2008



DELTAPOOL
Competition Management
 by Hamid Rahimi

www.deltapool.de

Copyright by Hamid Rahimi 1994 - 2008

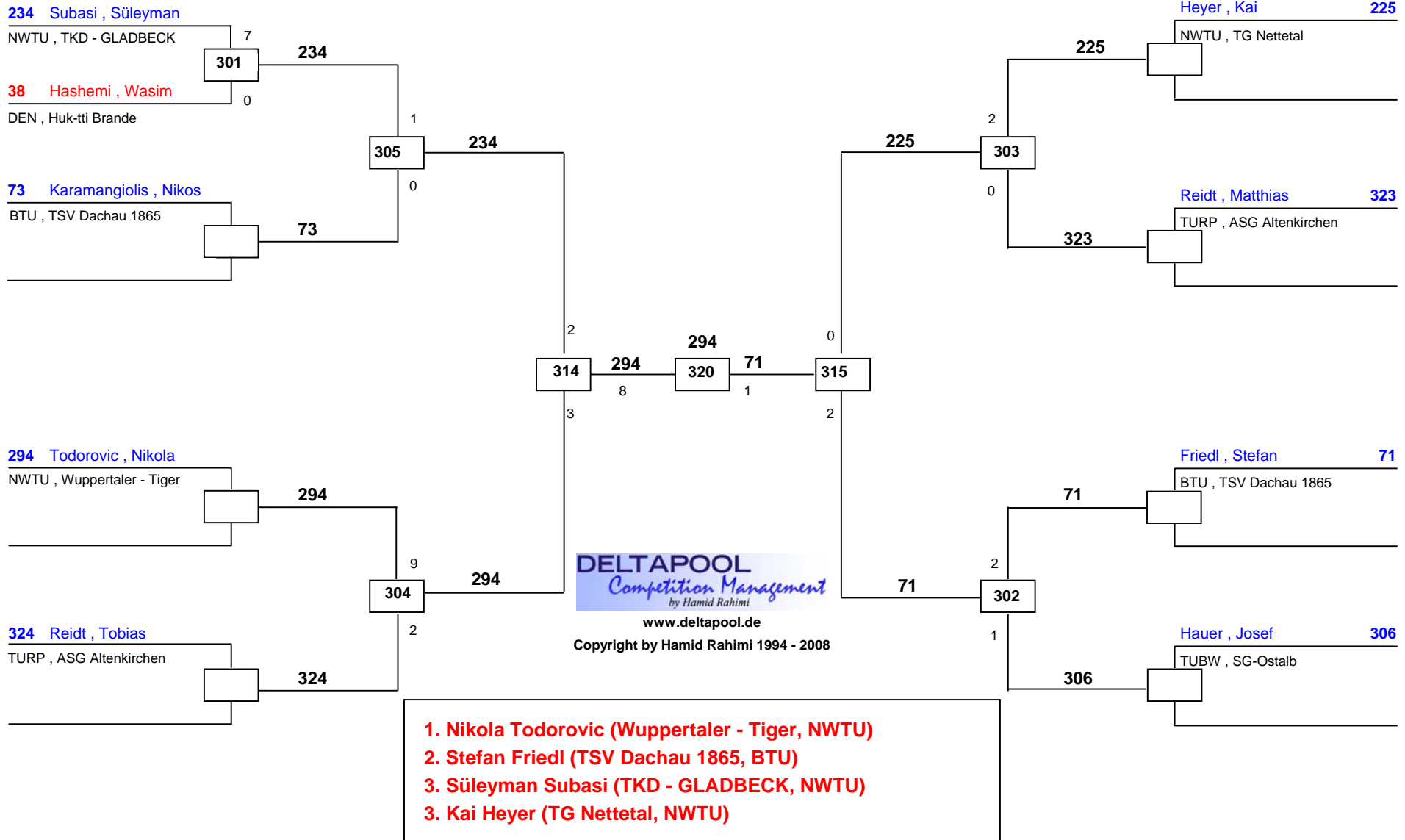
1. Sezer Kalyoncu (Sport Club Özad Duisburg, NWTU)
 2. Payam Chak (Kangaroosports e. V., NWTU)
 3. Bernhard Geiger (PSV-München e. V., BTU)
 3. Reber Süleyman (Wuppertaler - Tiger, NWTU)

J Bm-53

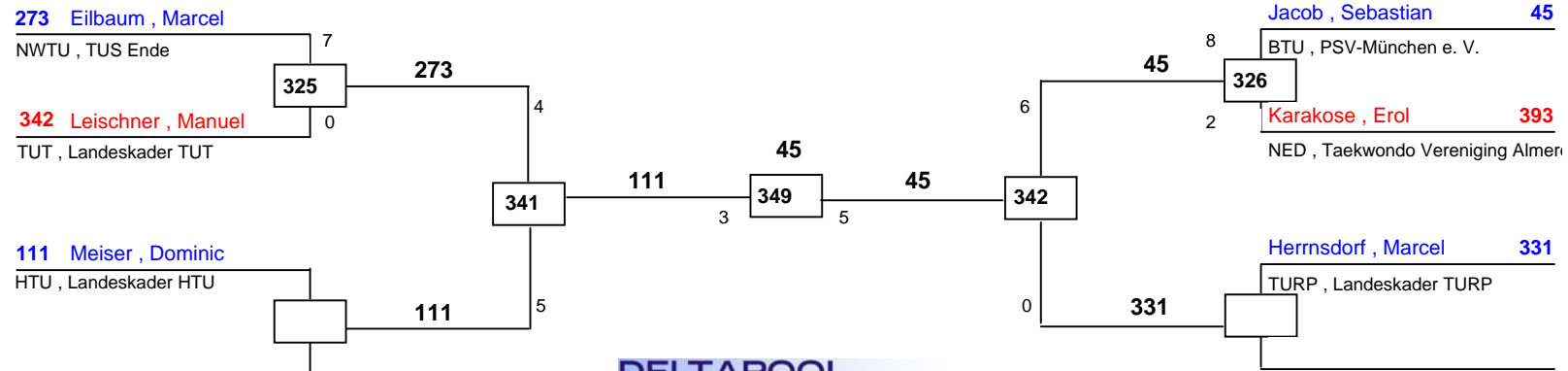
International Masters NRW

Bonn

am 25.10.2008 - 26.10.2008



J Bm-57
International Masters NRW
Bonn
am 25.10.2008 - 26.10.2008



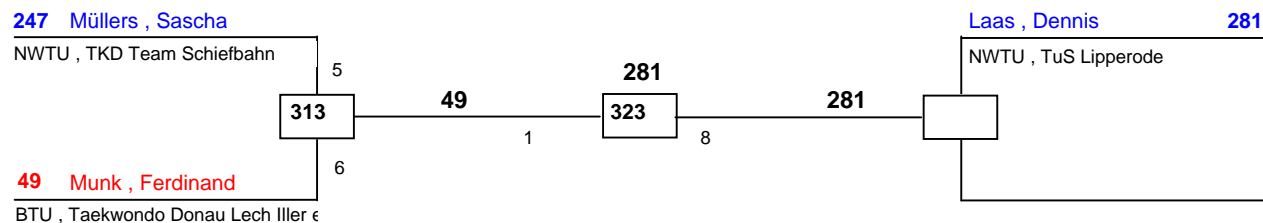
DELTAPOOL
Competition Management
by Hamid Rahimi

www.deltapool.de

Copyright by Hamid Rahimi 1994 - 2008

1. Sebastian Jacob (PSV-München e. V., BTU)
 2. Dominic Meiser (Landeskader HTU, HTU)
 3. Marcel Eilbaum (TUS Ende, NWTU)
 3. Marcel Herrnsdorf (Landeskader TURP, TURP)

J Bm-61
International Masters NRW
Bonn
am 25.10.2008 - 26.10.2008



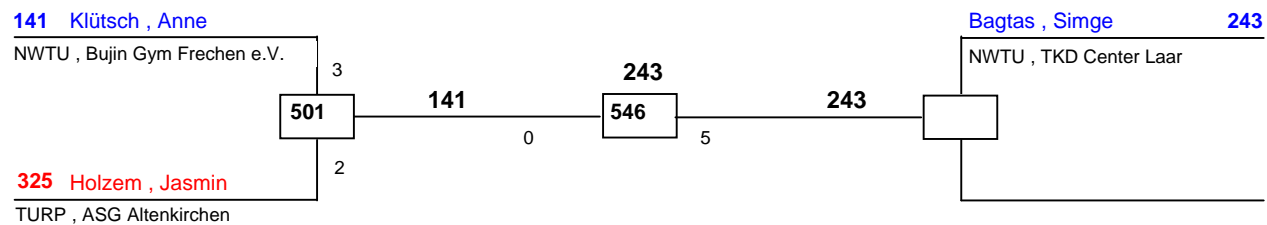
DELTAPOOL
Competition Management
by Hamid Rahimi

www.deltapool.de

Copyright by Hamid Rahimi 1994 - 2008

1. Dennis Laas (TuS Lipperode, NWTU)
2. Ferdinand Munk (Taekwondo Donau Lech Iller e.V., BTU)
3. Sascha Müllers (TKD Team Schiefbahn, NWTU)

J Bw-33
International Masters NRW
Bonn
am 25.10.2008 - 26.10.2008



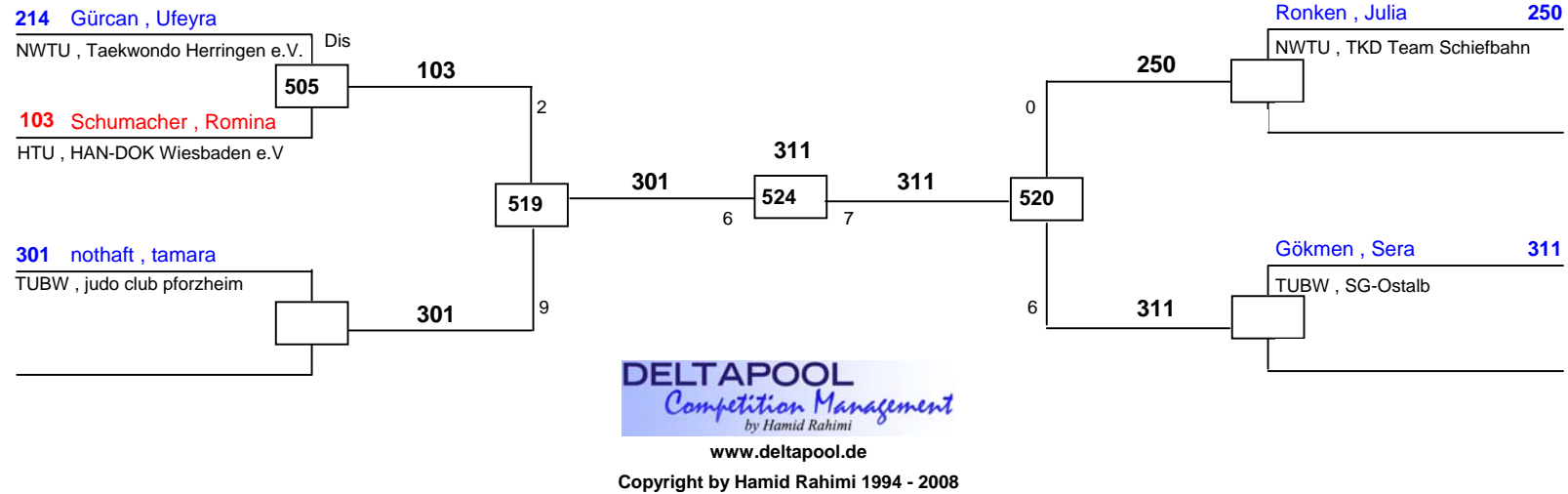
DELTAPOOL
Competition Management
by Hamid Rahimi

www.deltapool.de

Copyright by Hamid Rahimi 1994 - 2008

1. Simge Bagtas (TKD Center Laar, NWTU)
2. Anne Klütsch (Bujin Gym Frechen e.V., NWTU)
3. Jasmin Holzem (ASG Altenkirchen, TURP)

J Bw-37
International Masters NRW
Bonn
am 25.10.2008 - 26.10.2008



1. Sera Gökmen (SG-Ostalb, TUBW)
2. tamara nothaft (judo club pforzheim, TUBW)
3. Romina Schumacher (HAN-DOK Wiesbaden e.V, HTU)
3. Julia Ronken (TKD Team Schiefbahn, NWTU)

J Bw-41

International Masters NRW

Bonn

am 25.10.2008 - 26.10.2008

154 Hildebrandt , Vanessa

NWTU , Internat Swisttal

301

409

7

409 Kampman , Kimberley

NED , TKD Oude Luttkhuis

305

409

223 Brachschoß , Lorena

NWTU , Taekwondo-Kerpen

223

329

409

343

239

330

Koppe , Katrin

203

NWTU , Sportschule Choi

301A

MICAS , NOEMI

2

AND , ANDORRA

203

1

5

239

303

Wenken , Tabea

239

NWTU , TKD Center Iserlohn e.V.

239

209 Altindag , Gizem

NWTU , Taekwondo Club Solingen

209

304

209

116 Schwinn , Sophie

HTU , Landeskader HTU

116

DELTAPOOL
Competition Management
by Hamid Rahimi

www.deltapool.de

Copyright by Hamid Rahimi 1994 - 2008

Bozdemir , Nevin

213

NWTU , Taekwondo Herringen e.V.

213

302

126

Göhring , Marie - Christi

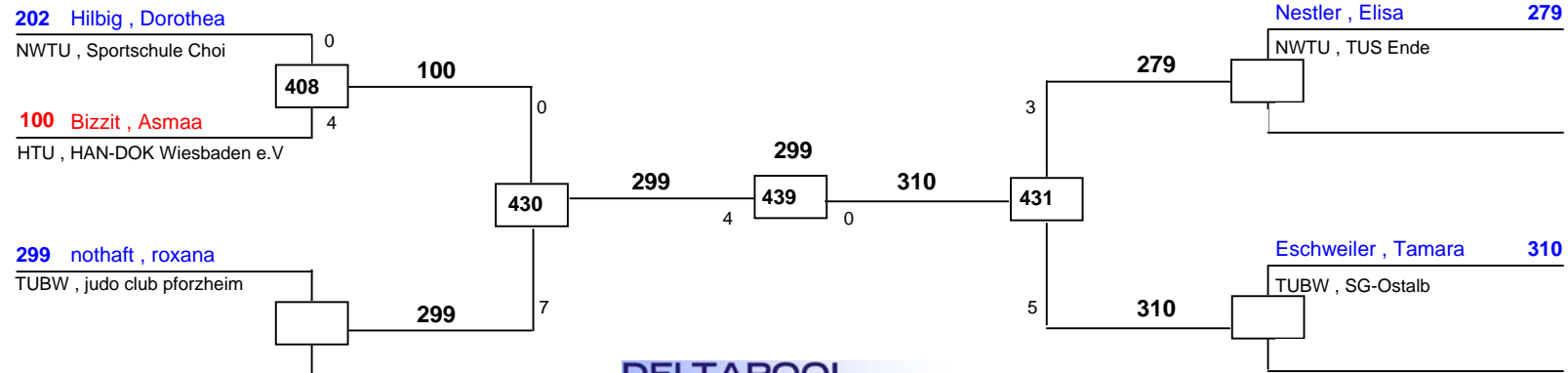
126

NTU , TKD Club Victory e.V. Hil

126

1. Kimberley Kampman (TKD Oude Luttkhuis, NED)
2. Tabea Wenken (TKD Center Iserlohn e.V., NWTU)
3. Gizem Altindag (Taekwondo Club Solingen, NWTU)
3. Marie - Christin Göhring (TKD Club Victory e.V. Hildeshei)

J Bw-44
International Masters NRW
Bonn
am 25.10.2008 - 26.10.2008



DELTAPOOL
Competition Management
by Hamid Rahimi

www.deltapool.de

Copyright by Hamid Rahimi 1994 - 2008

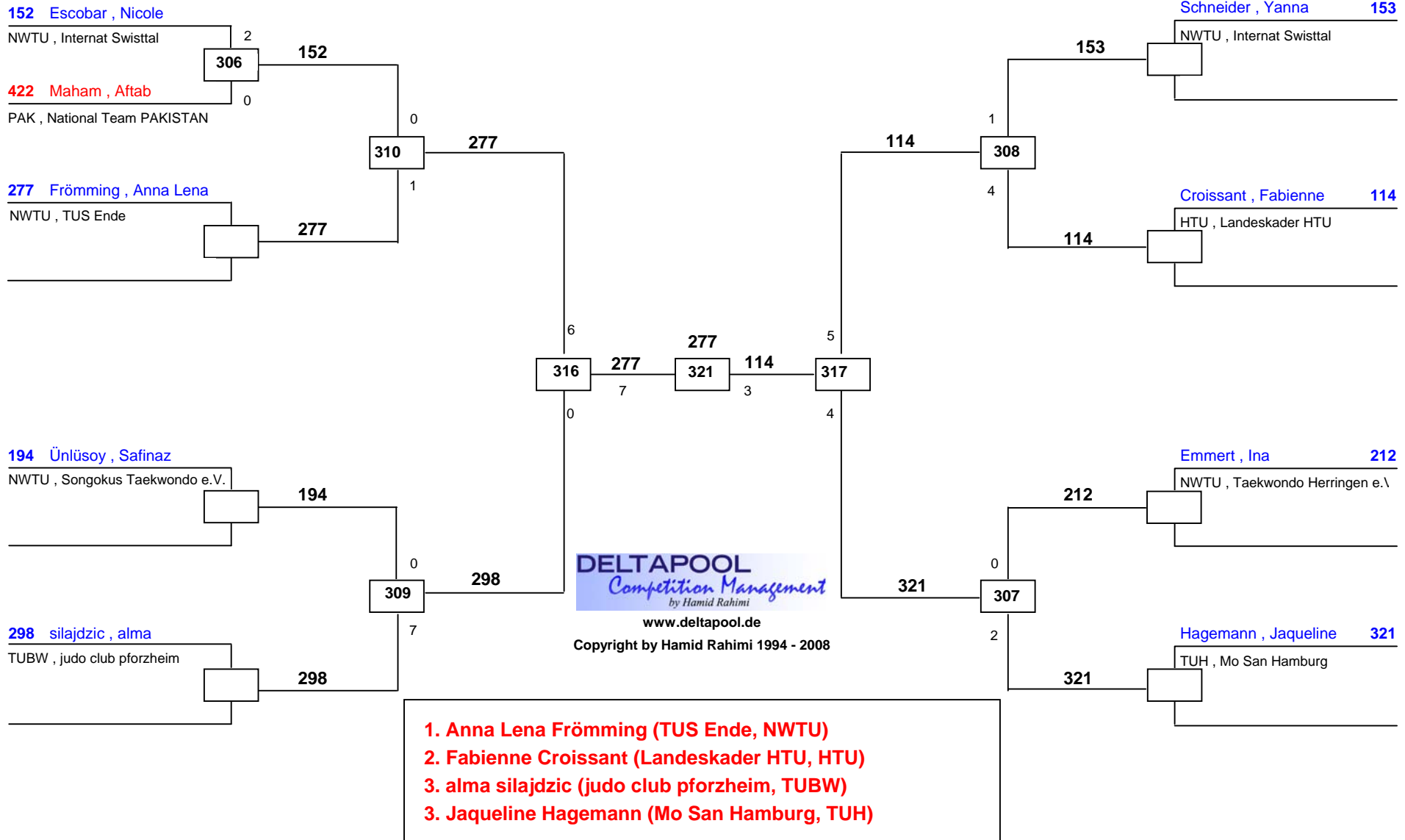
- 1. roxana nothaft (judo club pforzheim, TUBW)**
 - 2. Tamara Eschweiler (SG-Ostalb, TUBW)**
 - 3. Asmaa Bizzit (HAN-DOK Wiesbaden e.V, HTU)**
 - 3. Elisa Nestler (TUS Ende, NWTU)**

J Bw-47

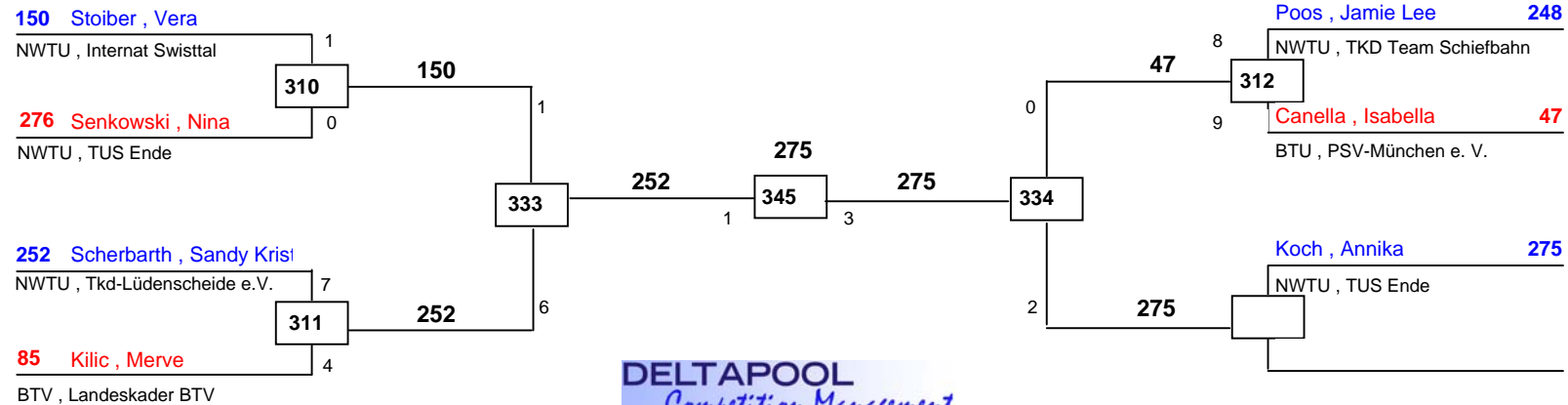
International Masters NRW

Bonn

am 25.10.2008 - 26.10.2008



J Bw-51
International Masters NRW
Bonn
am 25.10.2008 - 26.10.2008

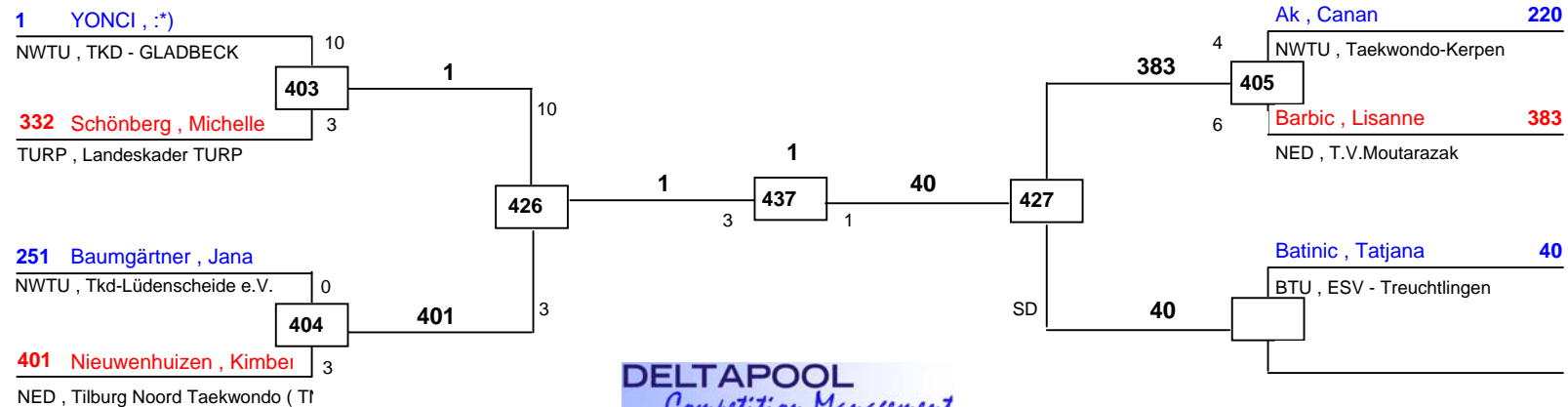


www.deltapool.de

Copyright by Hamid Rahimi 1994 - 2008

- 1. Annika Koch (TUS Ende, NWTU)
- 2. Sandy Kristin Scherbarth (Tkd-Lüdenscheide e.V., NWTU)
- 3. Vera Stoiber (Internat Swisttal, NWTU)
- 3. Isabella Canella (PSV-München e. V., BTU)

J Bw-55
International Masters NRW
Bonn
am 25.10.2008 - 26.10.2008

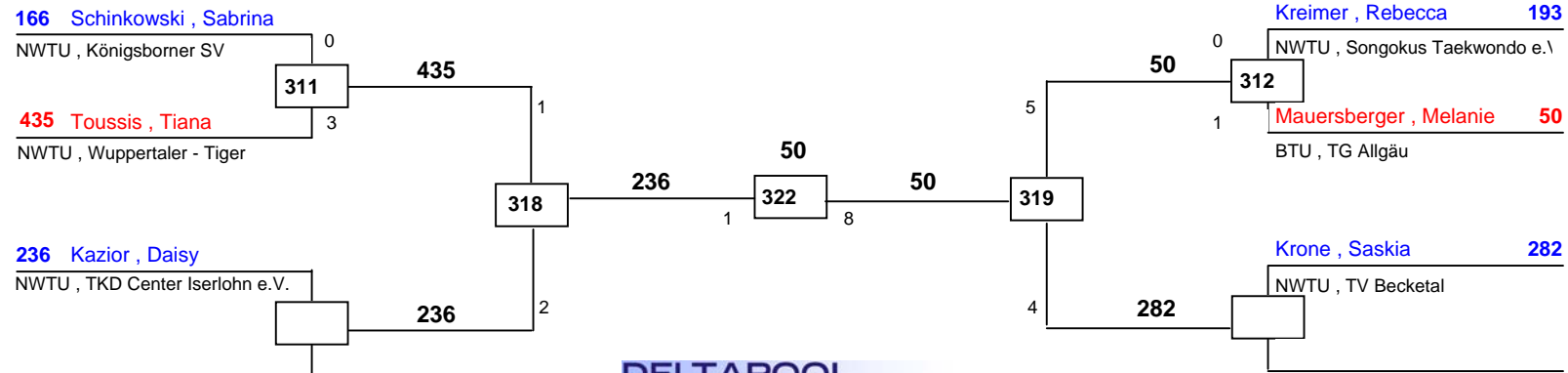


www.deltapool.de

Copyright by Hamid Rahimi 1994 - 2008

- 1. :*) YONCI (TKD - GLADBECK, NWTU)
- 2. Tatjana Batinic (ESV - Treuchtlingen, BTU)
- 3. Kimberley Nieuwenhuizen (Tilburg Noord Taekwondo (TI
- 3. Lisanne Barbic (T.V.Moutarazak, NED)

J Bw-59
International Masters NRW
Bonn
am 25.10.2008 - 26.10.2008



DELTAPOOL
Competition Management
by Hamid Rahimi

www.deltapool.de

Copyright by Hamid Rahimi 1994 - 2008

- 1. Melanie Mauersberger (TG Allgäu, BTU)**
 - 2. Daisy Kazior (TKD Center Iserlohn e.V., NWTU)**
 - 3. Tiana Toussis (Wuppertaler - Tiger, NWTU)**
 - 3. Saskia Krone (TV Becketal, NWTU)**

International Masters NRW

Bonn, 25.+26.10.2008

Vereinswertung

26.10.2008

Verein (Competitor)	Teilnehmer	Punkte	1.Place	2.Place	3.Place
1.SG-Ostalb (TUBW)	9 1 Kampflose	29	3	2	2
2.PSV-München e. V. (BTU)	7	27	3	1	2
3.Internat Swisttal (NWTU)	13	26	2	2	4
4.TSC Gladbeck (NWTU)	14	25	3		4
5.Bujin Gym Frechen e.V. (NWTU)	8	25	2	2	3
6.Taekwondo Creti Tübingen e.V. (TUBW)	5	22	3		1
6.TKD - GLADBECK (NWTU)	8	22	3		1
7.TKD Center Laar (NWTU)	5	19	2	1	1
7.National Team BELGIUM (BEL)	7	19	2	1	1
7.judo club pforzheim (TUBW)	5	19	2	1	1
8.TSV Dachau 1865 (BTU)	11	18	1	2	3
9.Landeskader HTU (HTU)	11	17		4	1
10.HAN-DOK Wiesbaden e.V (HTU)	12	16	2		2
10.TUS Ende (NWTU)	7	16	2		2
10.TG Allgäu (BTU)	3 1 Kampflose	16	2	1	
11.TKD Oude Lutikhuis (NED)	5	14	2		
12.Wuppertaler - Tiger (NWTU)	7	13	1	1	2
13.Koryo Den Haag (NED)	6	12	1	1	1
13.Huk-tti Brande (DEN)	7	12	1	1	1
14.Landeskader TURP (TURP)	10	11		2	3
14.Olympic Taekwondo Lüdenscheid (NWTU)	8	11	1		4
14.Landeskader TVBB (TVBB)	6	11	1	1	
14.Kobra Bielefeld (NWTU)	3	11	1	1	
15.Landeskader BTV (BTV)	9	10	1		3
16.Sport Club Özad Duisburg (NWTU)	5	9	1		2
16.Taekwondo Zuid-Oost (NED)	4	9	1		2
16.TSV 04 Feucht (BTU)	6	9		2	1
17.National Team PAKISTAN (PAK)	7	8		2	
17.TSV 1860 Weissenburg -TKD Batinic (BTU)	2	8		2	
17.TG Nettetal (NWTU)	3	8	1		1
17.TKD Center Iserlohn e.V. (NWTU)	3	8		2	
18.OTC Bonn (NWTU)	6	7		1	3
18.Taekwondo Club Solingen (NWTU)	3 1 Kampflose	7	1		2
18.Yul-Kok (NED)	1	7	1		
18.Taekwondo IJselland (NED)	3	7	1		
18.Taekwondo Herringen e.V. (NWTU)	5	7	1		
18.TuS Lipperode (NWTU)	2	7	1		
18.TKD Sharks e.V. (TVSH)	1	7	1		
18.ARMY National Team POLAND (POL)	5	7	1		
18.Louis van Esch (NED)	1	7	1		
18.Taekwondo Eastwood Warriors (NED)	2	7	1		
19.Swiss Taekwondo (SUI)	5	5		1	1
19.Tkd-Lüdenscheide e.V. (NWTU)	3	5		1	1
19.Tilburg Noord Taekwondo (TNT/SPIO) (NEI)	6	5		1	1
19.TKD Club Victory e.V. Hildesheim (NTU)	4	5		1	1
19.AC - Ückerath (NWTU)	2	5		1	1
20.ILYO Aarschot vzw Belgium (BEL)	7	4		1	
20.SC04Nürnberg-Olympia (TUBW)	2	4		1	
20.TKD VAROL e.V. (BTU)	4	4		1	
20.ESV - Treuchtlingen (BTU)	1	4		1	

International Masters NRW

Bonn, 25.+26.10.2008

Vereinswertung

Verein (Competitor)	Teilnehmer	Punkte	1.Place	2.Place	3.Place
20.TVG Holsterhausen (NWTU)	4	4		1	
20.Kangaroosports e. V. (NWTU)	5	4		1	
20.TSG-Eschweiler e.V. (NWTU)	1	4		1	
20.Königsborner SV (NWTU)	5	4		1	
20.Taekwondo Donau Lech Iller e.V. (BTU)	1	4		1	
20.Taekwondo Annaberg-Buchholz e.V. (TUS)	1	4		1	
21.1. Godesberger Judo Club e.V. (NWTU)	3	3			3
21.Sonbae Academy (BEL)	6	3			3
21.TKD Team Schiefbahn (NWTU)	4	3			3
21.or team (ISR)	8	3			3
22.Narabi Aachen e.V. (NWTU)	2	2			2
22.TV Becketal (NWTU)	4	2			2
22.J.C. Rüsselsheim (HTU)	2	2			2
23.Budovereniging Hantei (NED)	2	1			1
23.T.V.Moutarazak (NED)	3	1			1
23.Olympic TKD Scheuerfeld (TUSaar)	1	1			1
23.Budo-Schule Wiesbaden (HTU)	2	1			1
23.Tollyo academy Charleroi (BEL)	1	1			1
23.Post SV Neumünster (TVSH)	3	1			1
23.VfL-Sindelfingen (TUBW)	2	1			1
23.Bul-Sportschule e.V. (NTU)	2	1			1
23.Mo San Hamburg (TUH)	1	1			1
23.ASG Altenkirchen (TURP)	3	1			1
23.MTG Essen-Horst (NWTU)	1	1			1
23.Landeskader TUT (TUT)	3	1			1
23.To-San Ennepetal e.V. (NWTU)	3	1			1
23.SUS Sichtigvor e.V (NWTU)	1	1			1
23.Sipjin Couffignal Strasbourg (FRA)	1	1			1
23.Mexiko (MEX)	1	1			1
23.TKD- Club Freigericht (HTU)	1	1			1
23.korea club houdeng (abft) (BEL)	4	1			1

1. Platz=7 , 2. Platz=4 , 3.Platz=1 , Kampfloosen=5 Punkte

International Masters NRW

Bonn, 25.+26.10.2008

26.10.2008

Land (Competitor)	Teilnehmer	Punkte	1.Place	2.Place	3.Place
1.Germany	295 3 Kampflose	516	41	40	75
2.Netherlands	40	70	8	2	6
3.Belgium	27	28	2	2	6
4.Denmark	7	12	1	1	1
5.Pakistan	7	8		2	
6.Poland	5	7	1		
7.Switzerland	5	5		1	1
8.Israel	8	3			3
9.France	1	1			1
9.Mexico	1	1			1
10.Greece	2				
10.Andorra	2				

1. Platz=7 , 2. Platz=4 , 3.Platz=1 , Kampflosen=5 Punkte